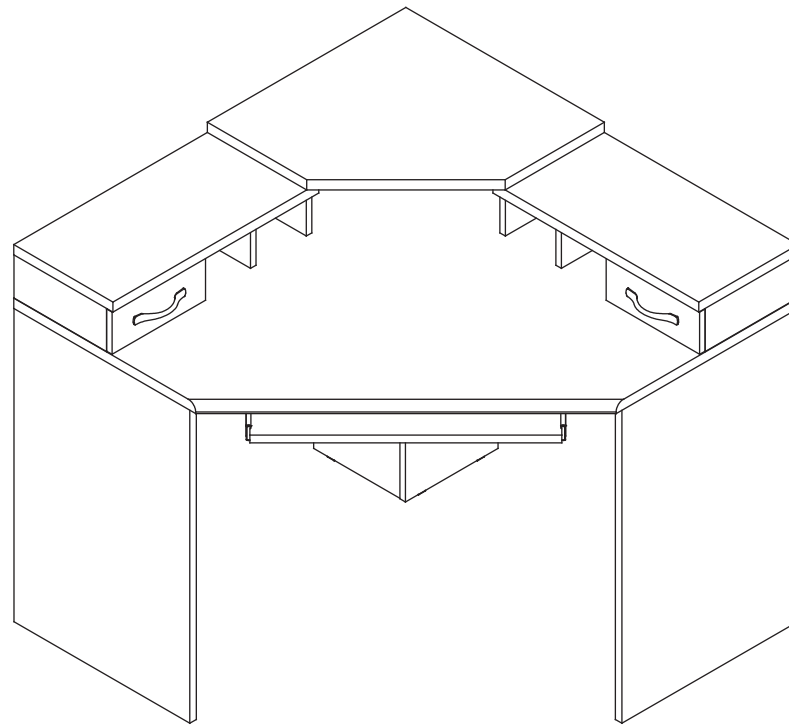




22110



Stop !!

If you are planning to combine this item with either one or two of model 22111 drawer extension units, set aside these instructions and use the instructions provided with model 22111.

Thank you for purchasing this quality product. Please be sure to check all packing material carefully for small parts which may have come loose inside the carton during shipment. Count all parts and hardware and compare with the parts list to be sure all parts are present. If any parts are missing or damaged, phone, fax or email to our Customer Service Department. For efficient and speedy service please indicate the model number and code letter of part(s) needed.

If you have any damaged or missing parts please contact us at:

OS Home and Office Furniture

PO Box 111

Webb City, MO 64870

417 673 9000

417 673 9081 fax

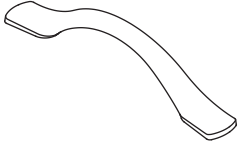
[service@americanfurnitureclassics.com](mailto:service@americanfurnitureclassics.com)

**IMPORTANT NOTE:** Follow instructions listed below in proper sequence as numbered to assure fast, easy and correct assembly.

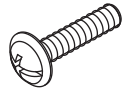
# hardware

---

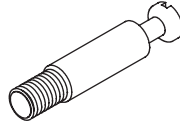
(W) x 2  
drawer pull



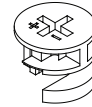
(X) x 4  
3/4" round-head screw



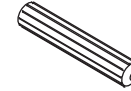
(Y) x 37  
big cam bolt



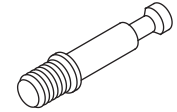
(Z) x 37  
big cam lock



(Aa) x 48  
1 1/4" x 3/8" dia wood  
dowel with ridges



(Bb) x 4  
small cam bolt



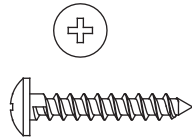
(Cc) x 4  
small cam lock



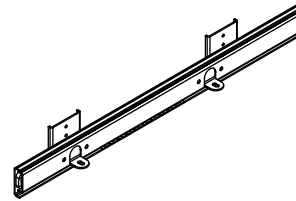
(Dd) x 8  
1 1/4" x 1/4" dia wood  
dowel with ridges



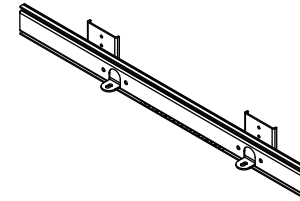
(Ee) x 12  
5/8" round-head screw



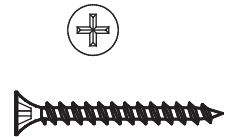
(Ff) x 1  
left hanger glide



(Gg) x 1  
right hanger glide



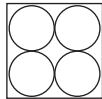
(Hh) x 8  
1 3/8" flat-head screw



(Ii) x 4  
glue



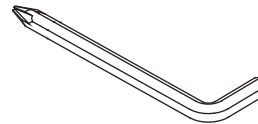
(Jj) x 14  
pvc cap



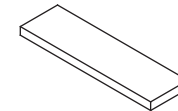
(Kk) x 25  
plastic cap



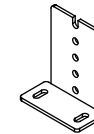
(Ll) x 1  
screwdriver



(Mm) x 8  
sponge cushion



(Nn) x 4  
metal plate

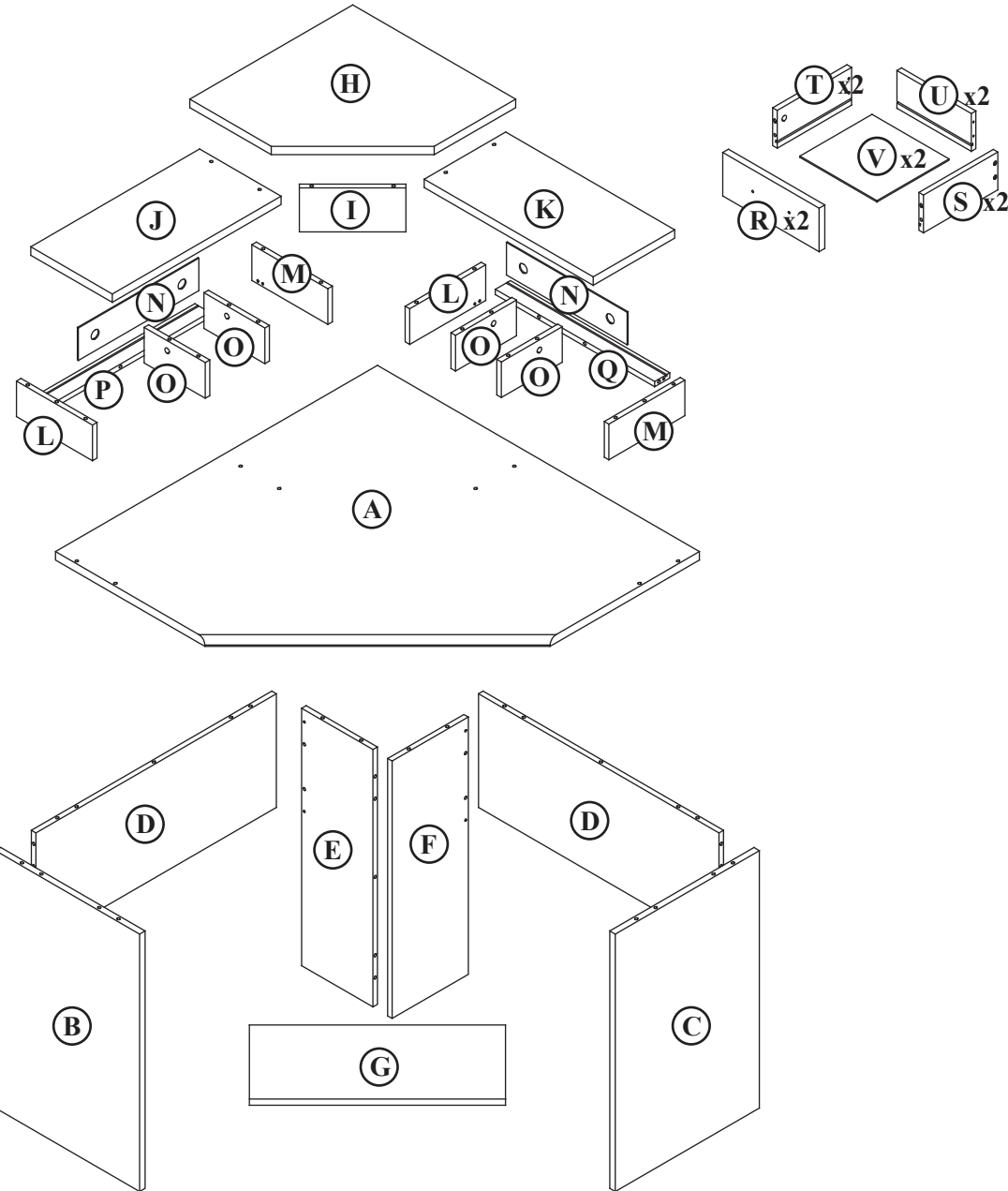


(Oo) x 4  
1/4" round-head screw



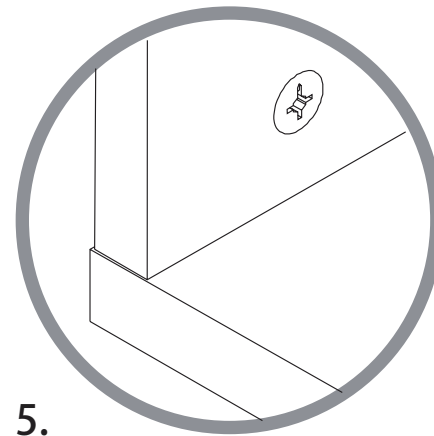
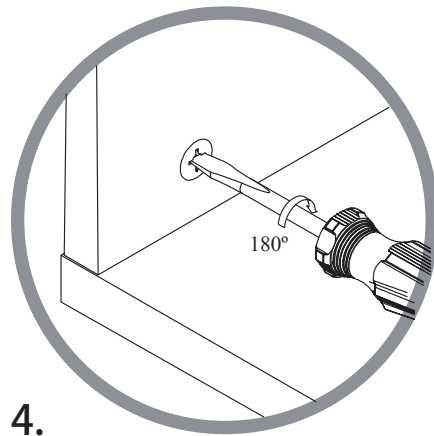
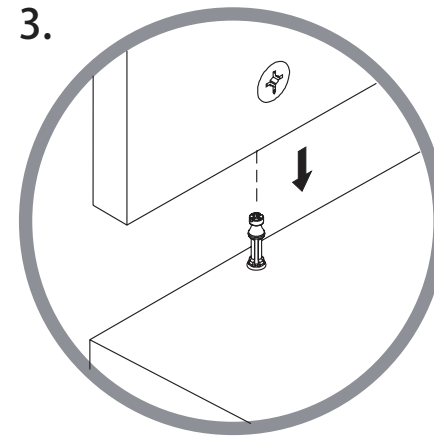
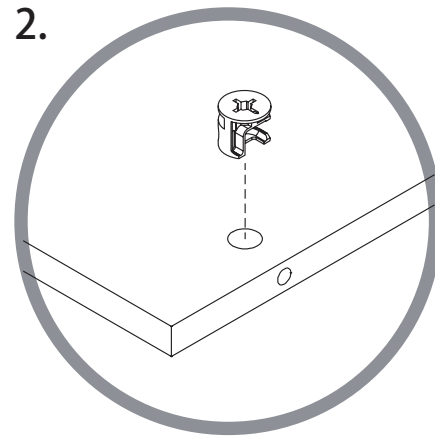
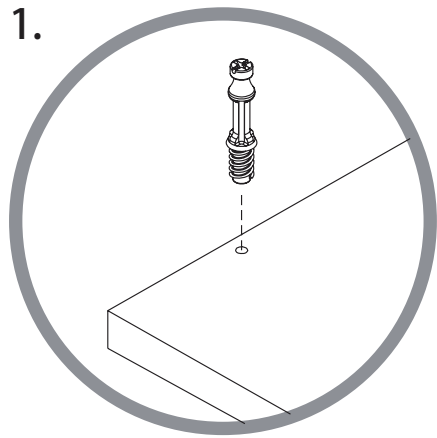
**ITEM DESCRIPTION QUANTITY**

A	big top shelf	1
B	left upright	1
C	right upright	1
D	back panel	2
E	left partition	1
F	right partition	1
G	key board	1
H	monitor platform	1
I	small back support rail	1
J	small left top shelf	1
K	small right top shelf	1
L	small left upright	2
M	small right upright	2
N	back panel	2
O	divider panel	4
P	left back rail	1
Q	right back rail	1
R	drawer front	2
S	drawer left side	2
T	drawer right side	2
U	drawer back	2
V	drawer bottom	2
W	drawer pull	2
X	3/4"round-head screw	4
Y	big cam bolt	37
Z	big cam lock	37
Aa	1 1/4"x 3/8"dia wood dowel with ridges	48
Bb	small cam bolt	4
Cc	small cam lock	4
Dd	1 1/4"x 1/4" dia wood dowel with ridges	8
Ee	5/8"round-head screw	12
Ff	left hanger glide	1
Gg	right hanger glide	1
Hh	1 3/8"flat-head screw	8
Ii	glue	4
Jj	pvc cap	14
Kk	plastic cap	25
Ll	screwdriver	1
Mm	sponge cushion	8
Nn	metal plate	4
Oo	1/4"round-head screw	4

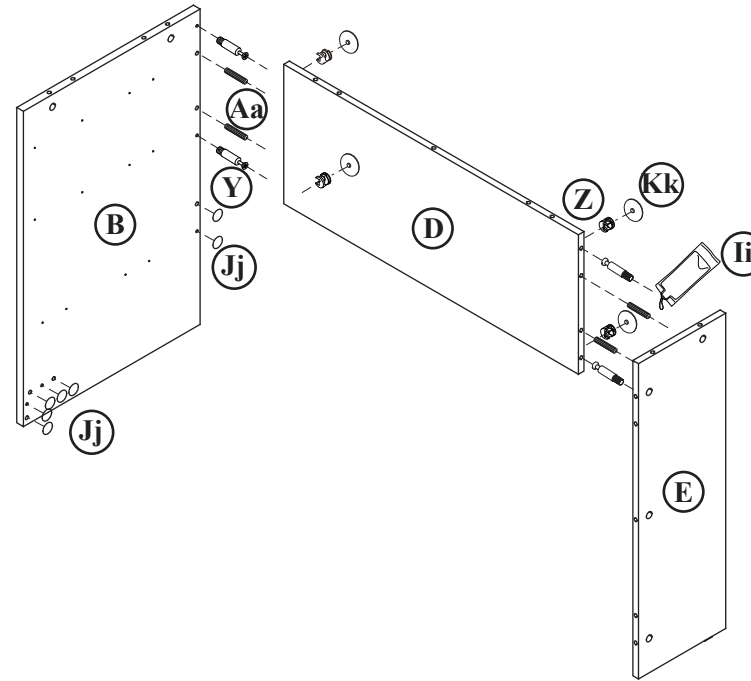
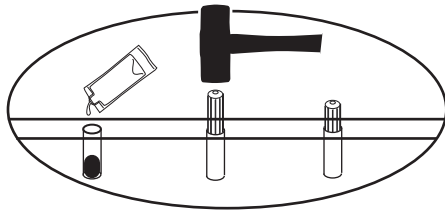
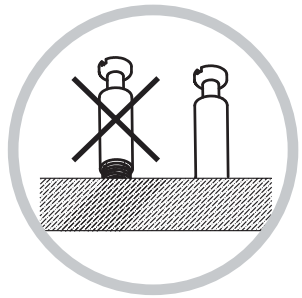


# how to use the cam lock system

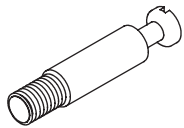
---



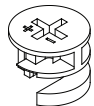
# step 1.



(Y) x 4  
big cam bolt



(Z) x 4  
big cam lock



(Aa) x 4  
1 1/4" x 3/8" dia wood  
dowel with ridges



(li) glue



(Kk) x 4  
plastic cap

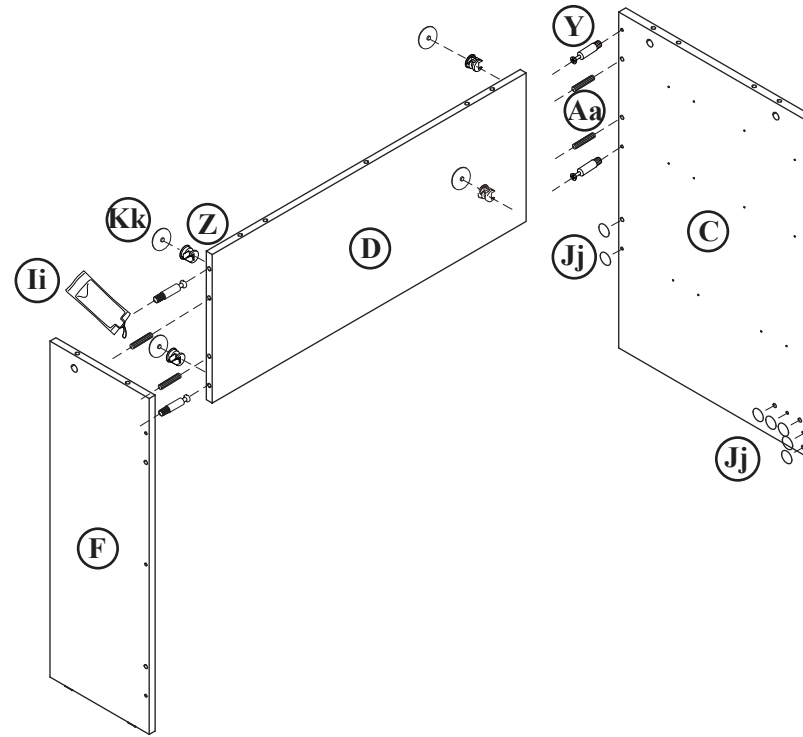
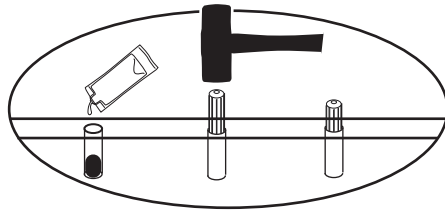
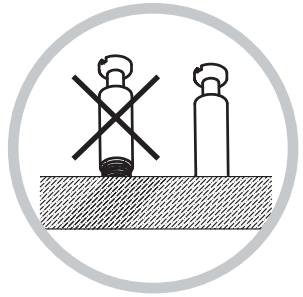


(Jj) x 7  
pvc cap

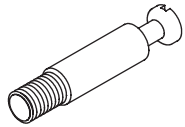


1. Attach left upright B to back panel D as shown.
2. Attach left partition E to back panel D as shown.
3. Tighten all cams.

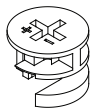
## step 2.



(Y) x 4  
big cam bolt



(Z) x 4  
big cam lock



(Aa) x 4  
1 1/4" x 3/8" dia wood  
dowel with ridges



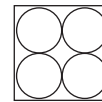
(li) glue



(Kk) x 4  
plastic cap

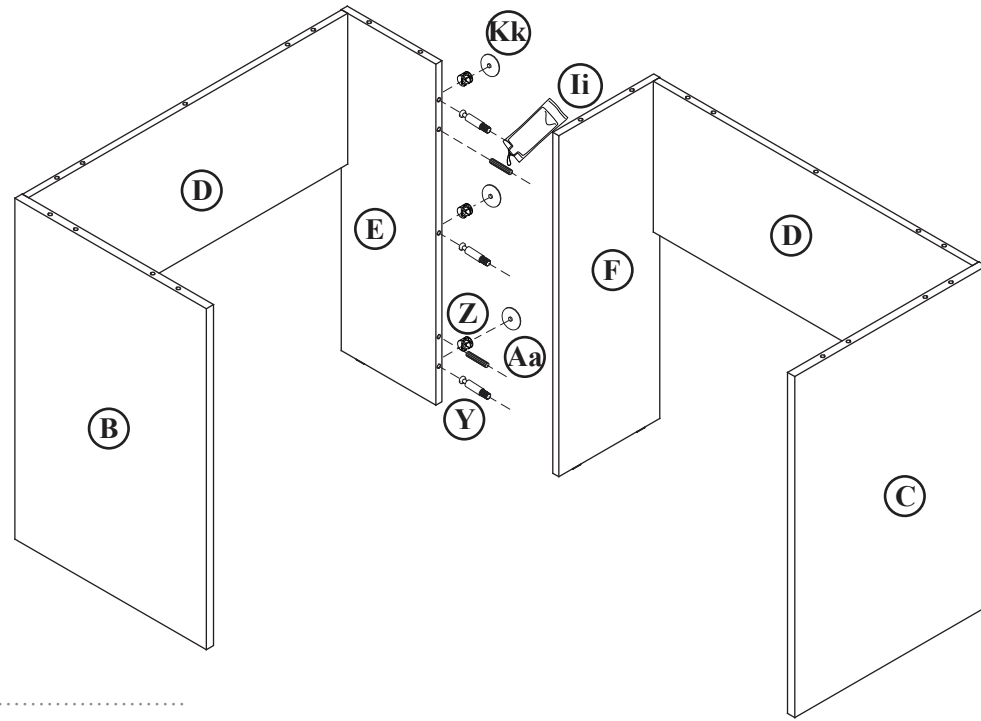
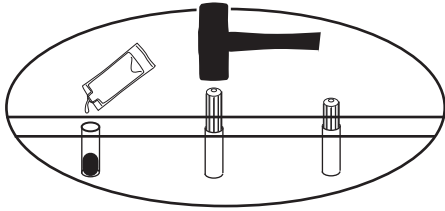
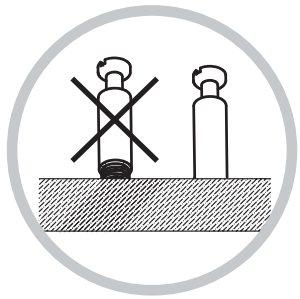


(Jj) x 7  
pvc cap

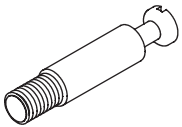


1. Attach right upright C to back panel D as shown.
2. Attach right partition F to back panel D as shown.
3. Tighten all cams.

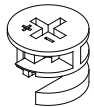
# step 3.



(Y) x 3  
big cam bolt



(Z) x 3  
big cam lock



(Aa) x 2  
1 1/4" x 3/8" dia wood  
dowel with ridges



(li) glue



(Kk) x 3  
plastic cap

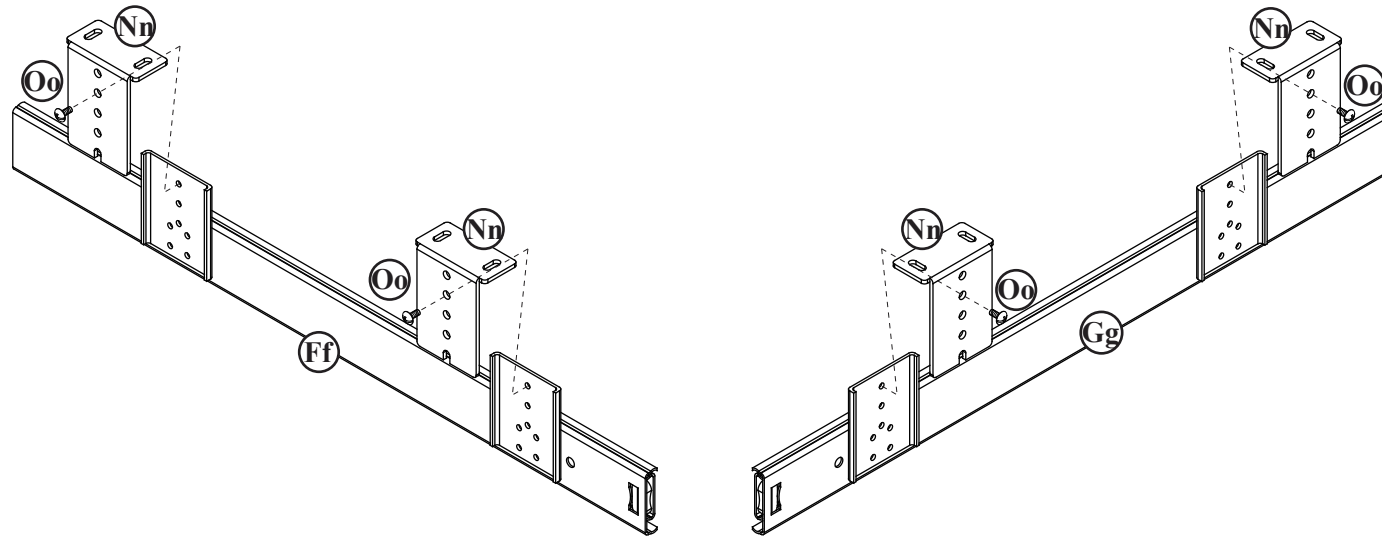


1. Attach big cam bolts Y to panel F as shown.
2. Insert big cam locks Z and dowels Aa to panel E as shown.
3. Carefully align fasteners and secure part F to part E.
3. Tighten all cams.



# step 4.

---



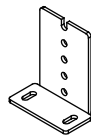
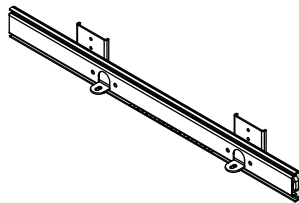
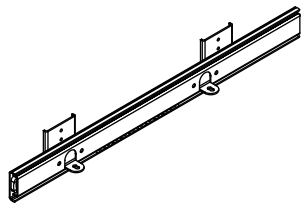
---

(Ff) x 1  
left hanger glide

(Gg) x 1  
right hanger glide

(Nn) x 4  
metal plate

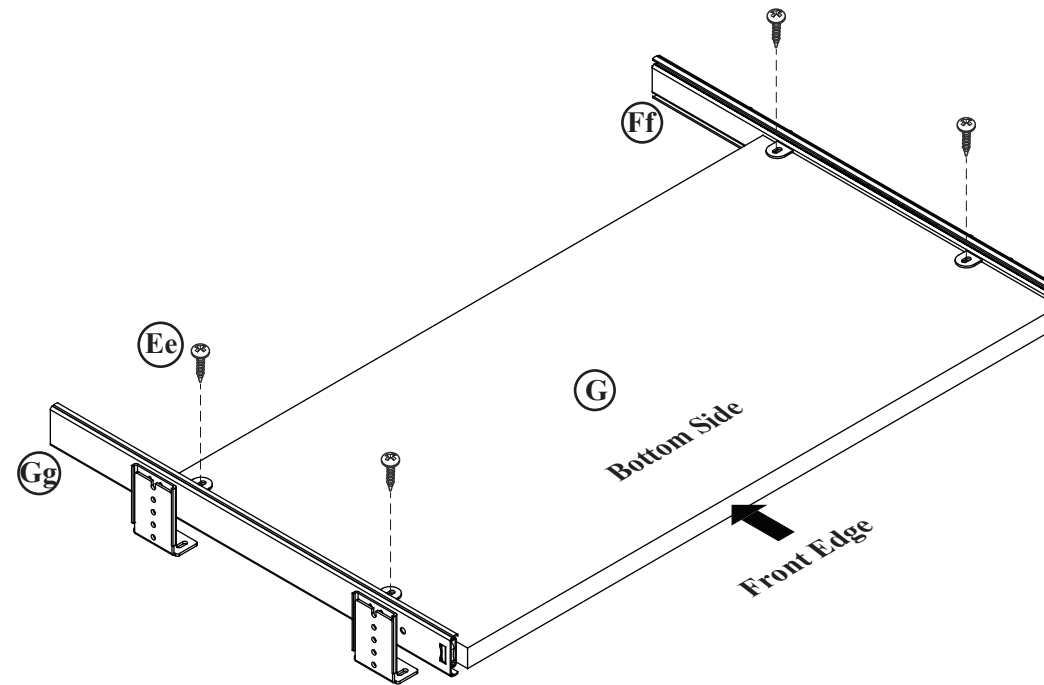
(Oo) x 4  
1/4" round-head screw



1. Attach metal plate (Nn) to the left and right hanger glides using screws (Oo).

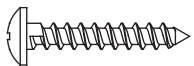
## step 5.

---



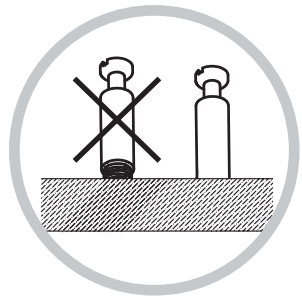
---

(Ee) x 4  
5/8" round-head screw

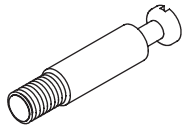


1. Attach keyboard shelf G to the right and left hanger glides as shown using screws Ee.

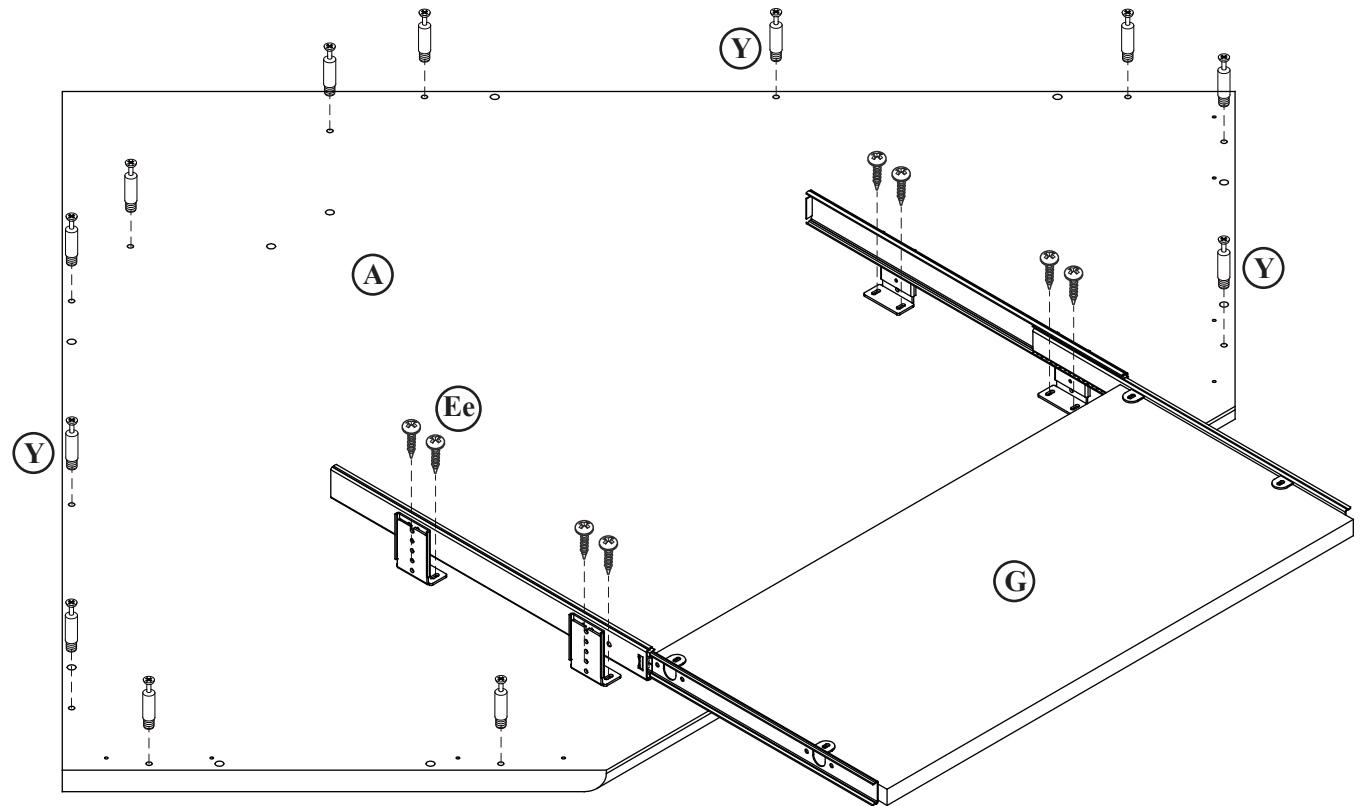
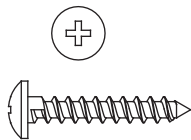
## step 6.



(Y) x 12  
big cam bolt

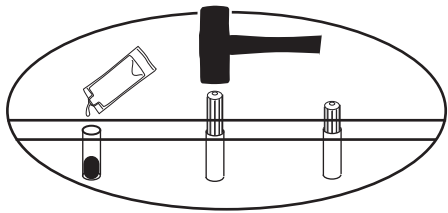


(Ee) x 8  
5/8"round-head screw



1. Install big cam bolts Y to underside of big top shelf A as shown.
2. Attach keyboard assembly to underside of big top shelf A as shown.

# step 7.

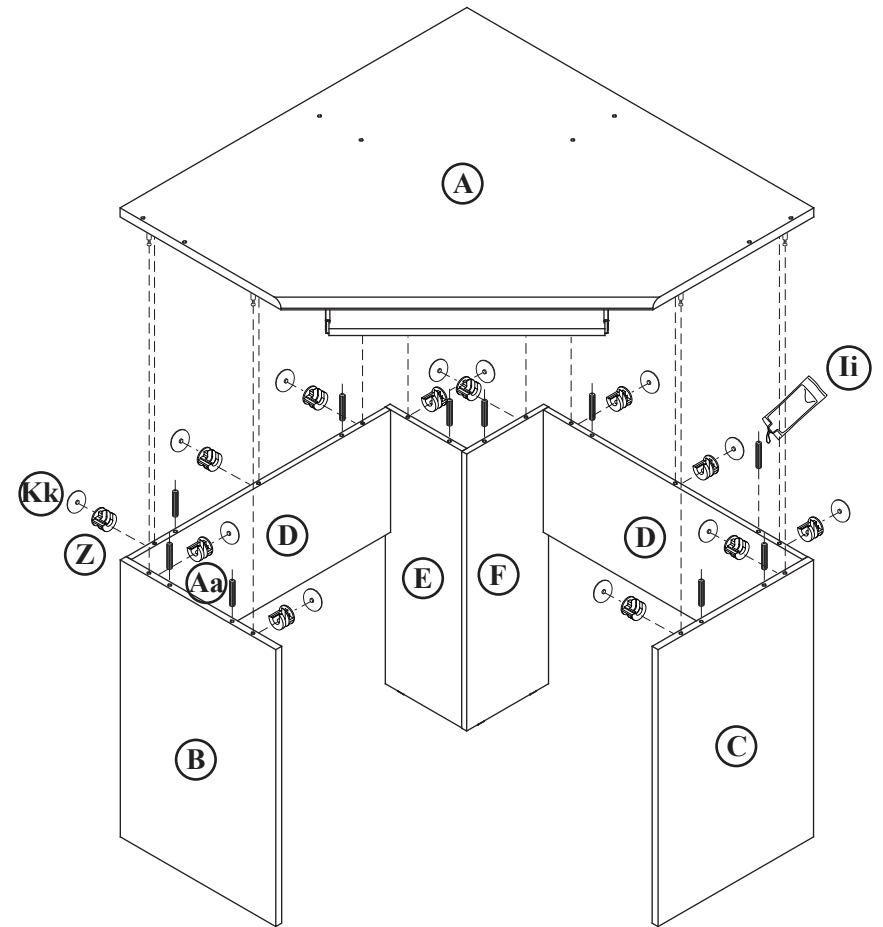
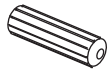
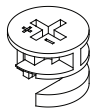


(Z) x 12  
big cam lock

(Aa) x 10  
1 1/4" x 3/8" dia wood  
dowel with ridges

(Kk) x 12  
plastic cap

(li) glue

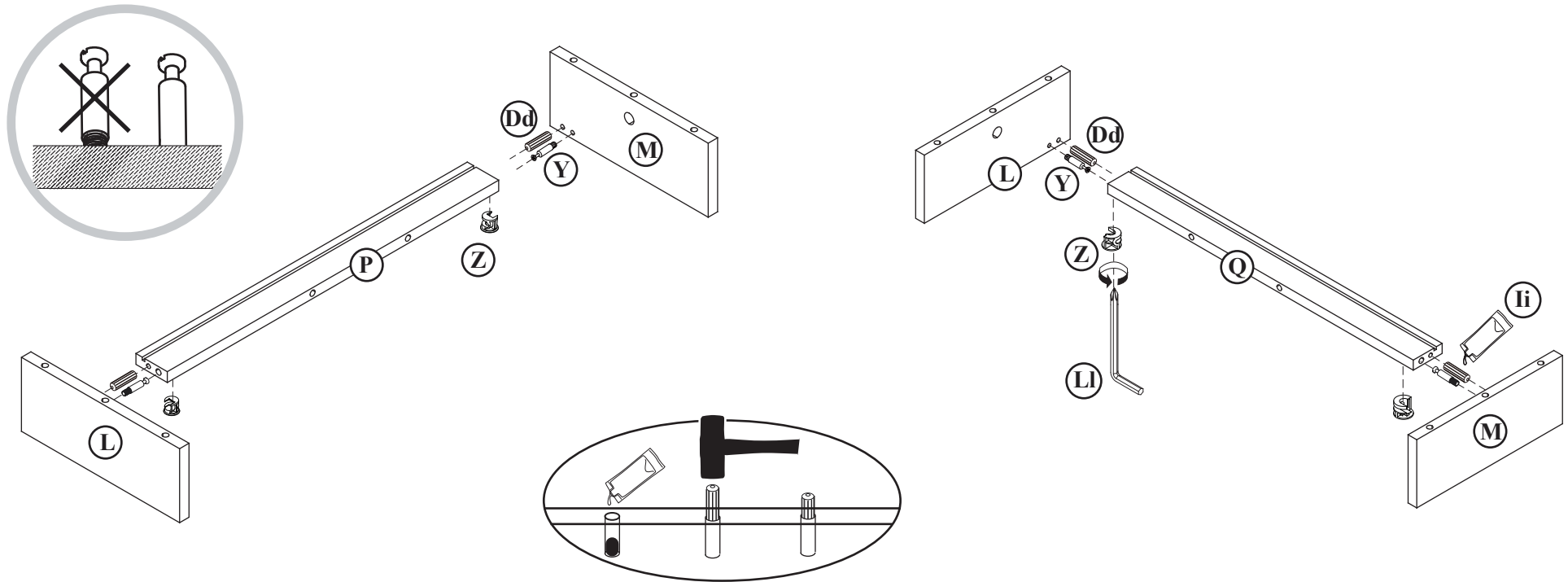


1. Install big cam locks (Z) and glue dowels (Aa) into parts B, D, E, F, D, and C.

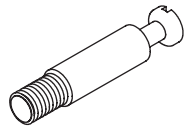
2. With a helper, carefully place big top shelf (A) onto base of unit.

3. After making sure the big top shelf (A) is properly seated over all cam bolts and dowels, tighten all of the big cam locks (Z).

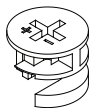
## step 8.



(Y) x 4  
big cam bolt



(Z) x 4  
big cam lock



(Dd) x 4  
1 1/4" x 1/4" dia wood  
dowel with ridges



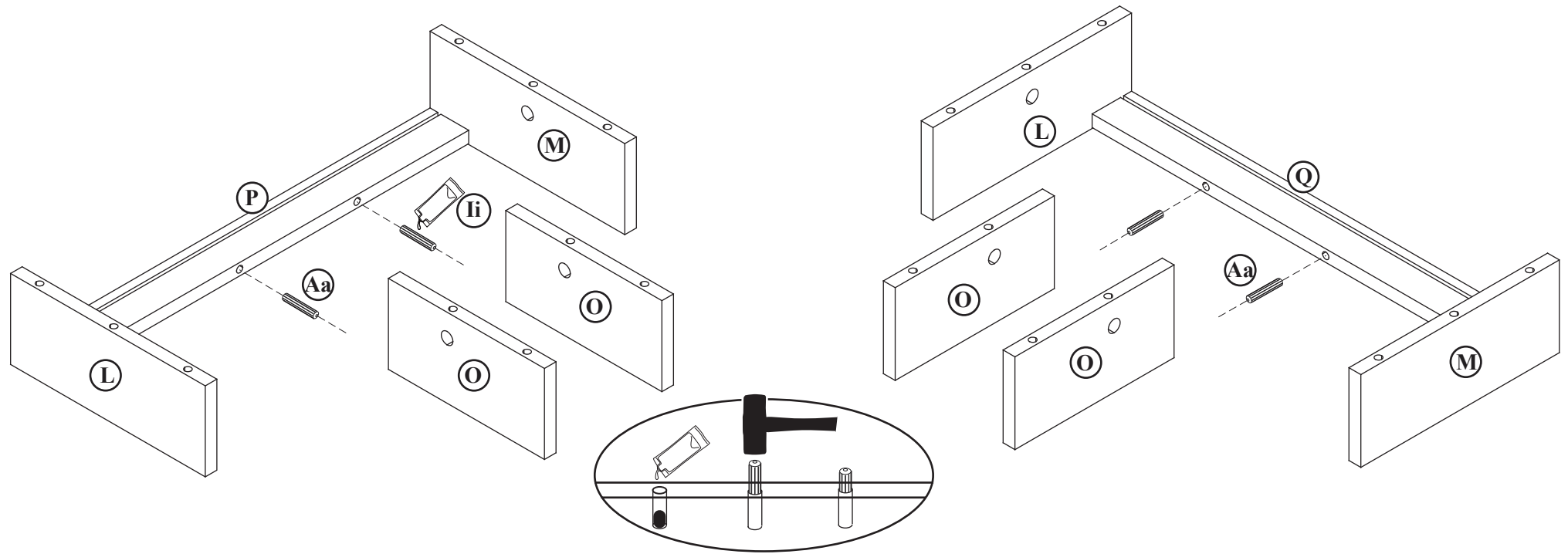
(li) glue



1. Attach left back rail (P) to small left upright (L) and small right upright (M) with hardware as shown.
2. Attach right back rail (Q) to small left upright (L) and small right upright (M) with hardware as shown.

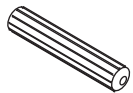
## step 9.

---



---

(Aa) x 4  
1 1/4" x 3/8" dia wood  
dowel with ridges

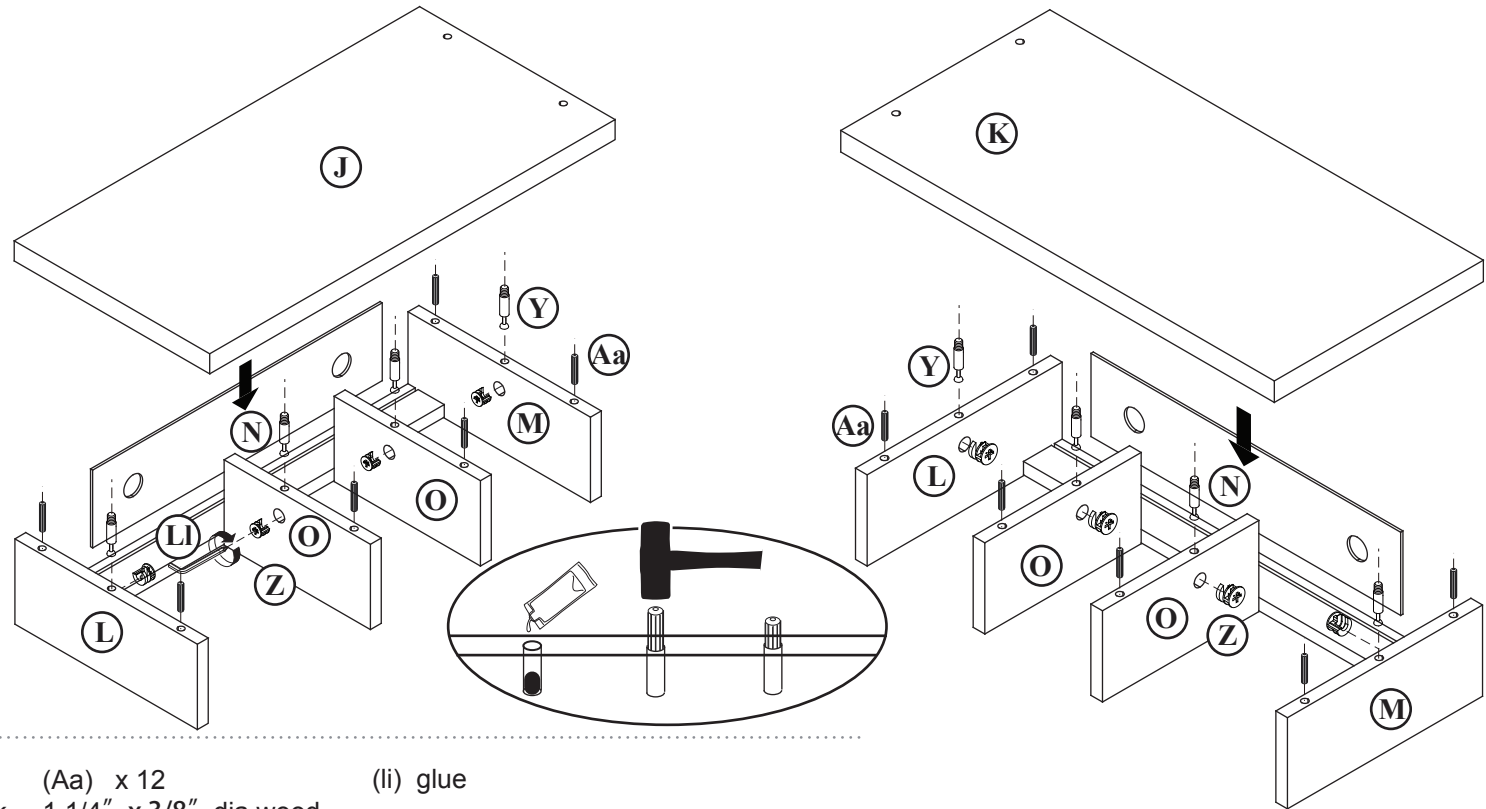
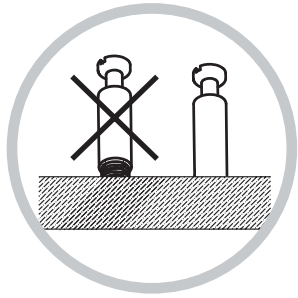


(li) glue

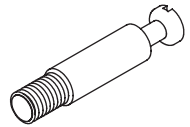


1. Glue divider panels (O) to left back rail (P) with dowels (Aa).
2. Glue divider panels (O) to right back rail (Q) with dowels (Aa).

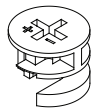
# step 10.



(Y) x 8  
big cam bolt



(Z) x 8  
big cam lock



(Aa) x 12  
1 1/4" x 3/8" dia wood  
dowel with ridges



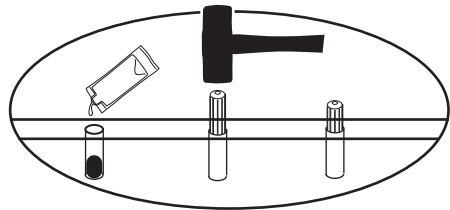
(li) glue



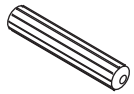
1. Install big cam bolts (Y) to the underside of small left top shelf (J) and small top shelf (K).
2. Glue dowels (Aa) into parts L,O and M.
3. Place back panel (N) in groove.
4. Carefully place left top shelf (J) onto assembly making sure back panel (N) is aligned in both top and bottom grooves. Fasten cams using special screw driver (Li).
5. Repeat process for right top shelf (K).

# step 11.

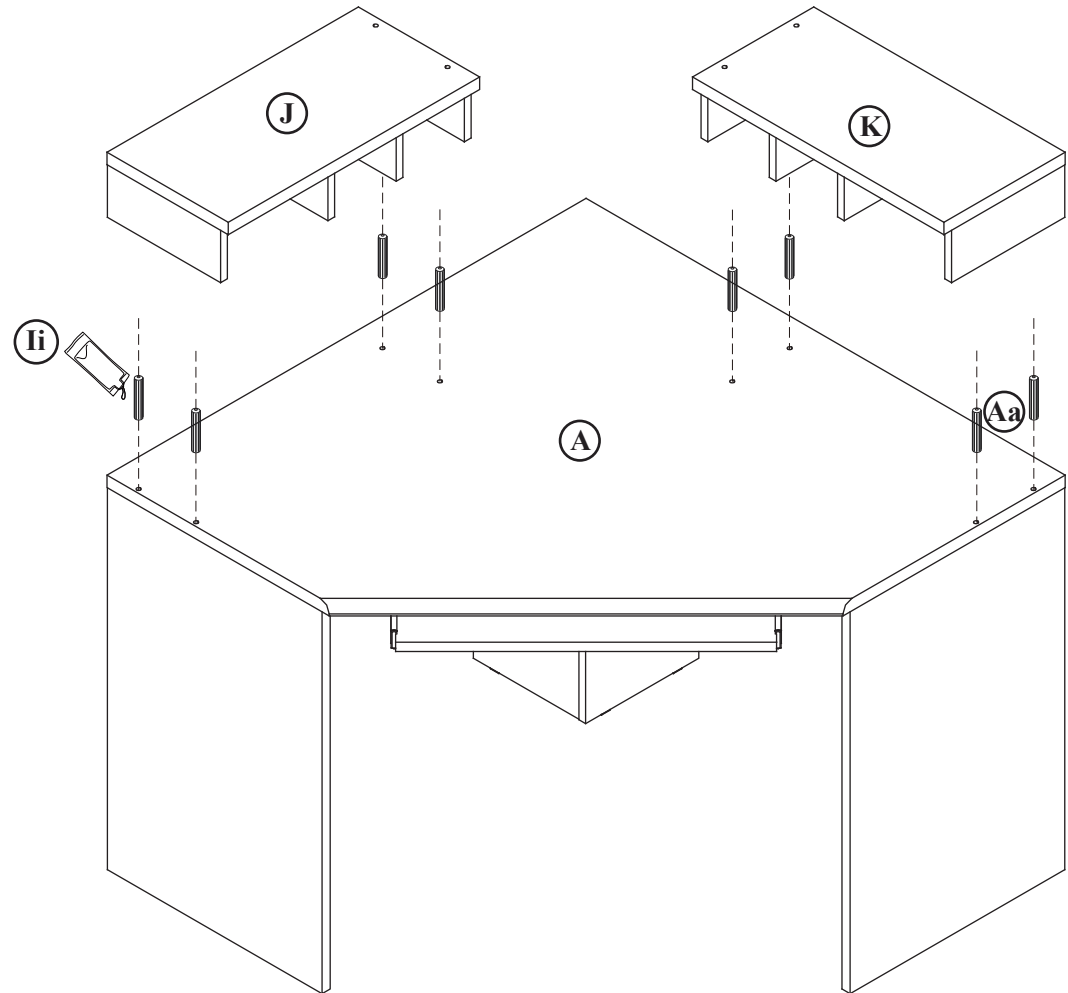
---



(Aa) x 8  
1 1/4" x 3/8" dia wood  
dowel with ridges



(li) glue

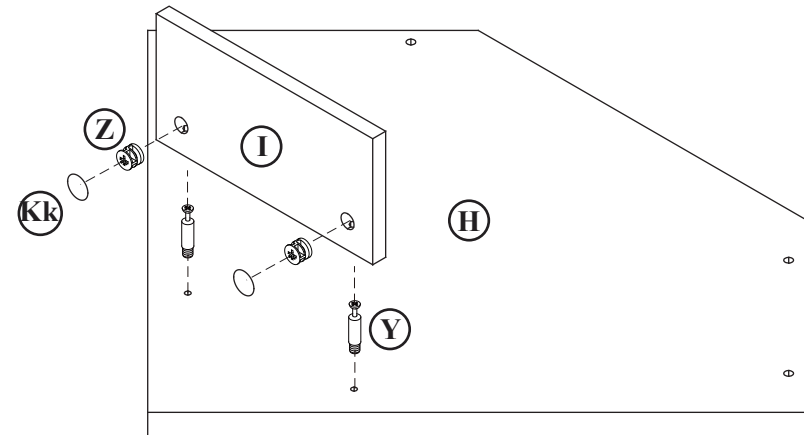
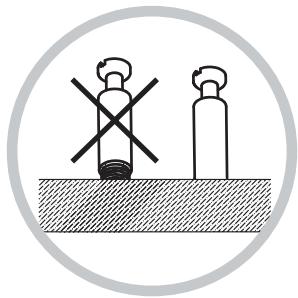


1. Place dowels (Aa) into holes on big top shelf (A) - these holes are for location only. The glue is optional.
2. Place assemblies (J) and (K) on unit as shown.



## step 12.

---

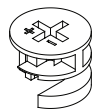
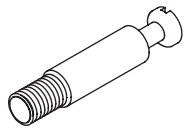


---

(Y) x 2  
big cam bolt

(Z) x 2  
big cam lock

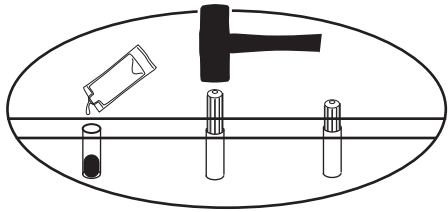
(Kk) x 2



1. Attach parts (I) to platform (H) using cam bolts and cam locks.
2. Tighten cam locks.

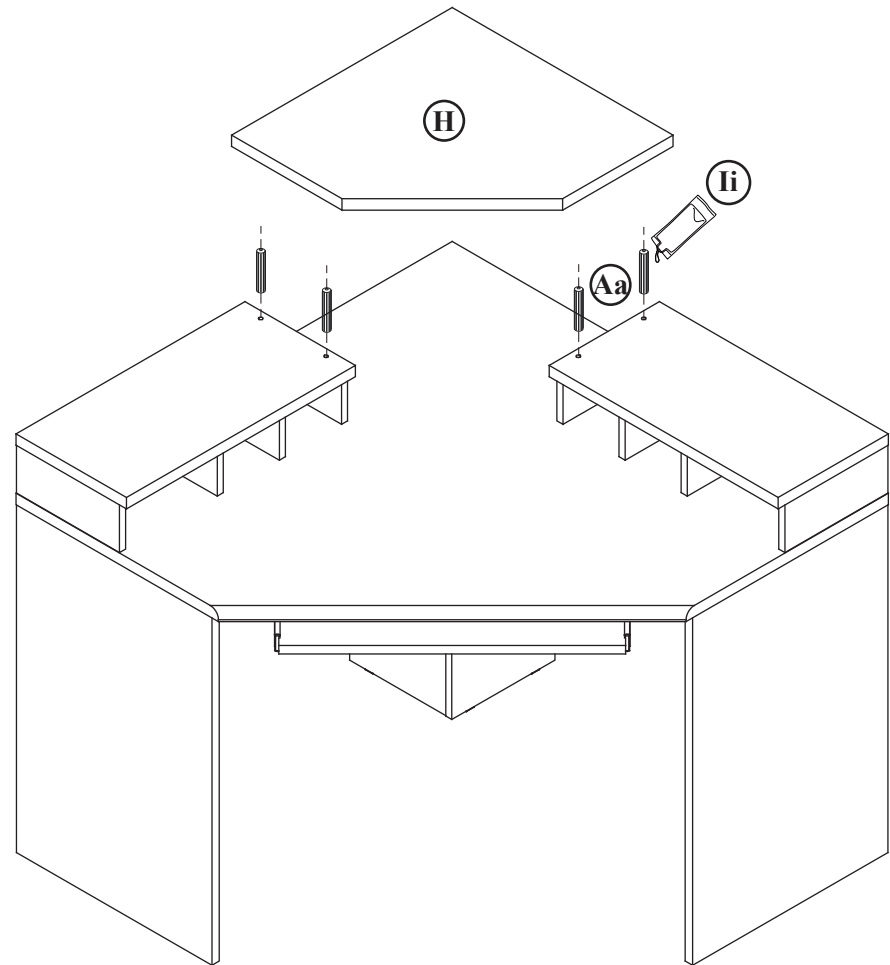
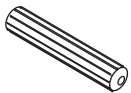
# step 13.

---



(Aa) x 4  
1 1/4" x 3/8" dia wood  
dowel with ridges

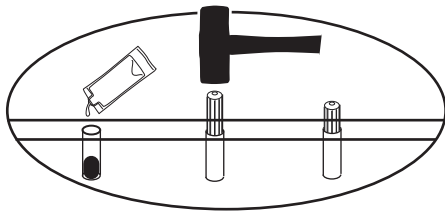
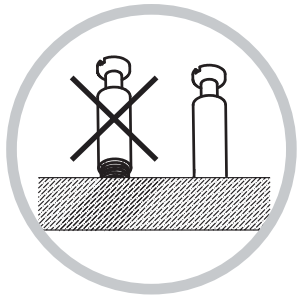
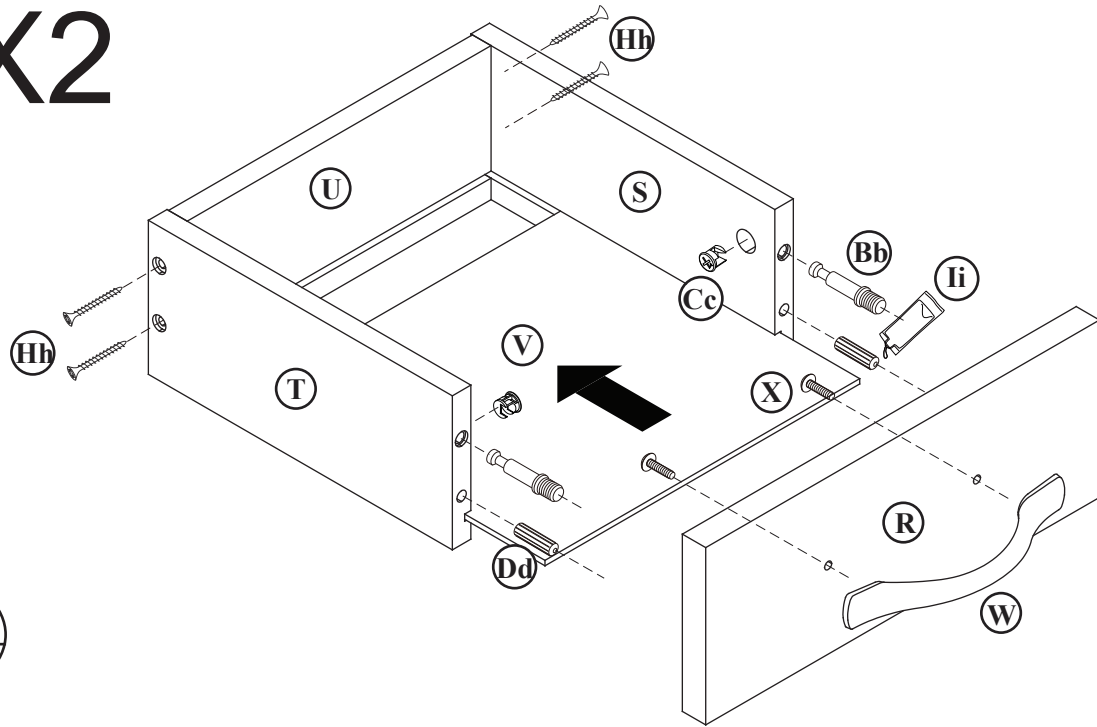
(li) glue



1. Using dowels and glue attach part H to desk.

# step 14.

# X2



(W) x 2  
drawer pull

(X) x 4  
3/4" round-head  
screw

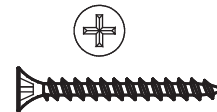
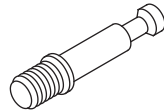
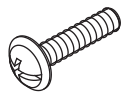
(Bb) x 4  
small cam bolt

(Cc) x 4  
small cam lock

(Dd) x 4  
1 1/4" x 1/4" dia wood  
dowel with ridges

(Hh) x 8  
1 3/8" flat-head screw

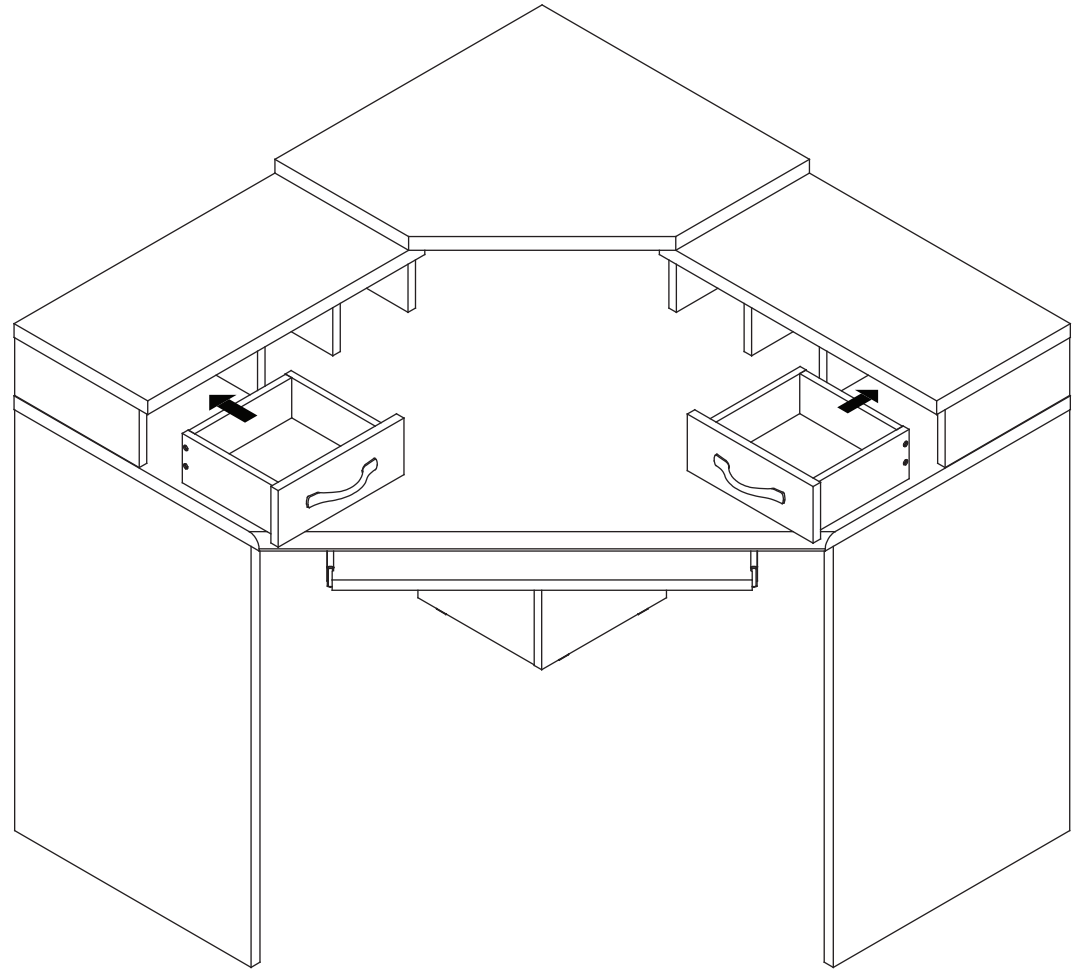
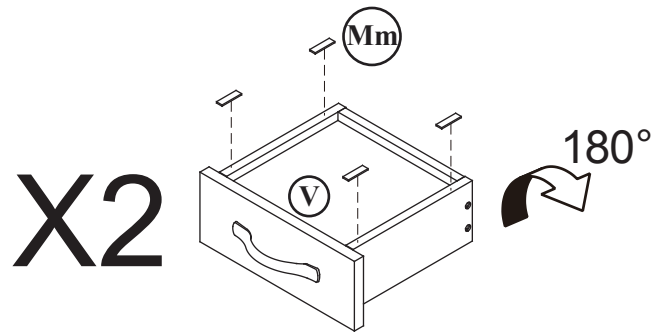
(li) glue



1. Attach small cam bolts (Bb) and dowels (Dd) to drawer front (R) using glue.
2. Attach drawer pull (W) to drawer front.
3. Attach drawer left side (T) to drawer back (U) using screws (Hh).
4. Repeat for drawer right side.
5. Slide drawer bottom (V) into groove.
6. Install small cam locks (Cc) and glue dowels (Dd) into drawer sides.
7. Attach drawer front (R) to drawer using glue and tighten cam locks.

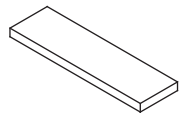
# step 15.

---



---

(Mm) x 8  
sponge cushion



1. Place sponge cushions on the underside of drawer sides.