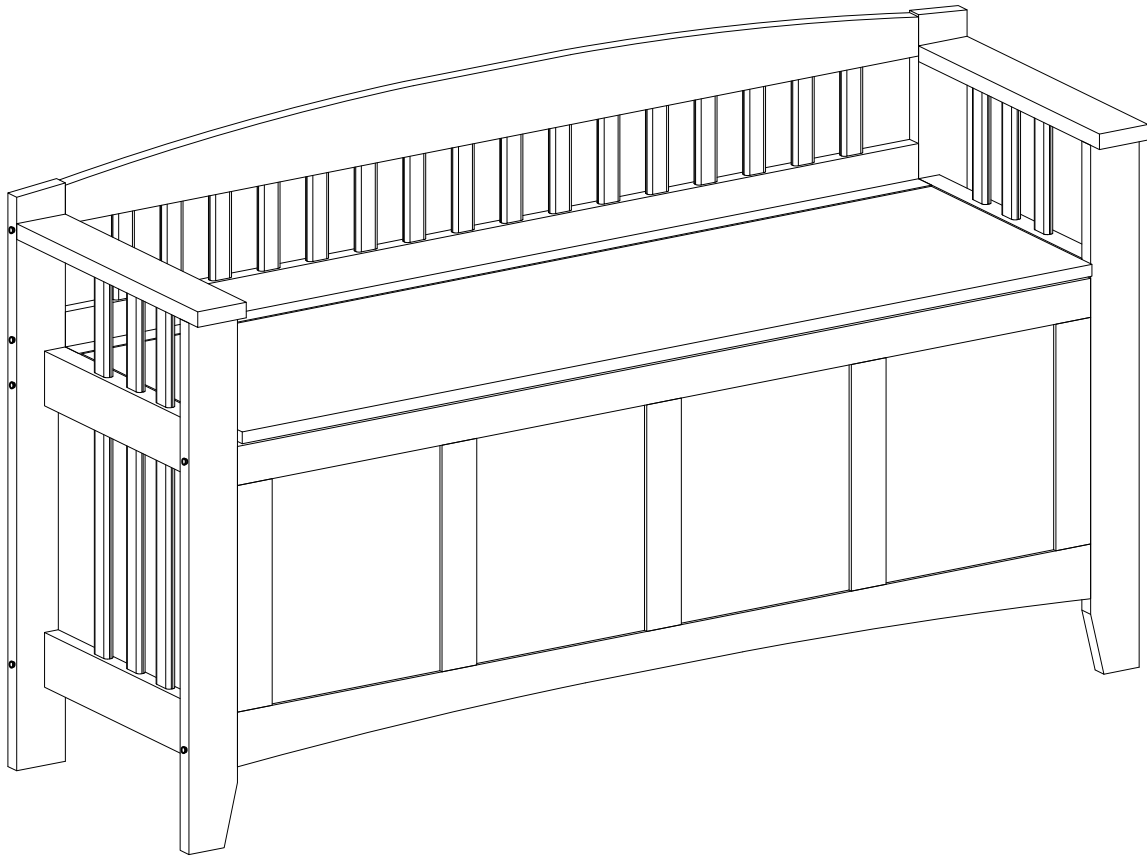




ASSEMBLY INSTRUCTIONS

Place all wooden parts onto a clean and smooth surface such as a rug or carpet to avoid the parts from being scratched and please follow the assembly instructions step by step. Assembly will require 2 people.
DO NOT use power tools.



PLEASE FEEL FREE TO CALL US FOR ASSEMBLY ASSISTANCE

Post Office Box 111 -Webb City, Missouri 64870- 0111

Toll Free- 888- 673- 9080

Fax- 417- 673- 9081

To order replacement parts online please visit:

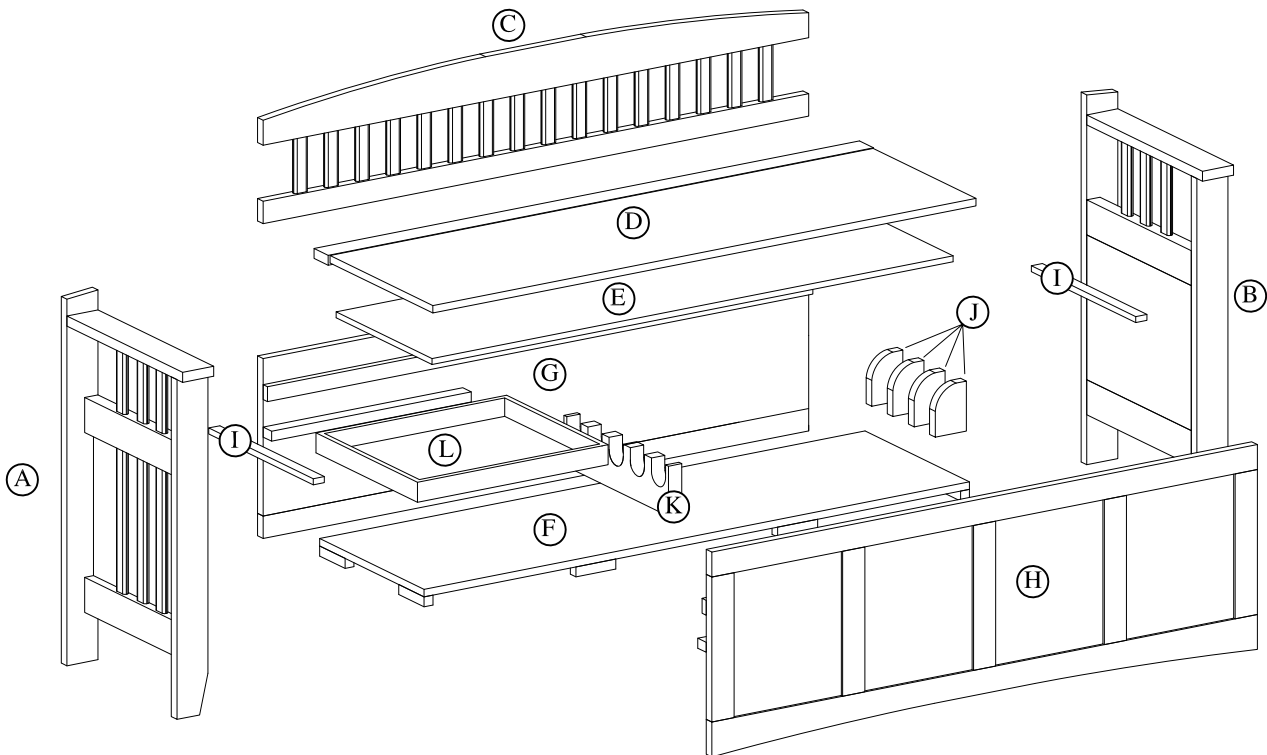
www.AmericanFurnitureClassics.com

or Email:

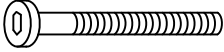
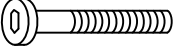
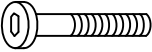










service@americanfurnitureclassics.com

PARTS LIST

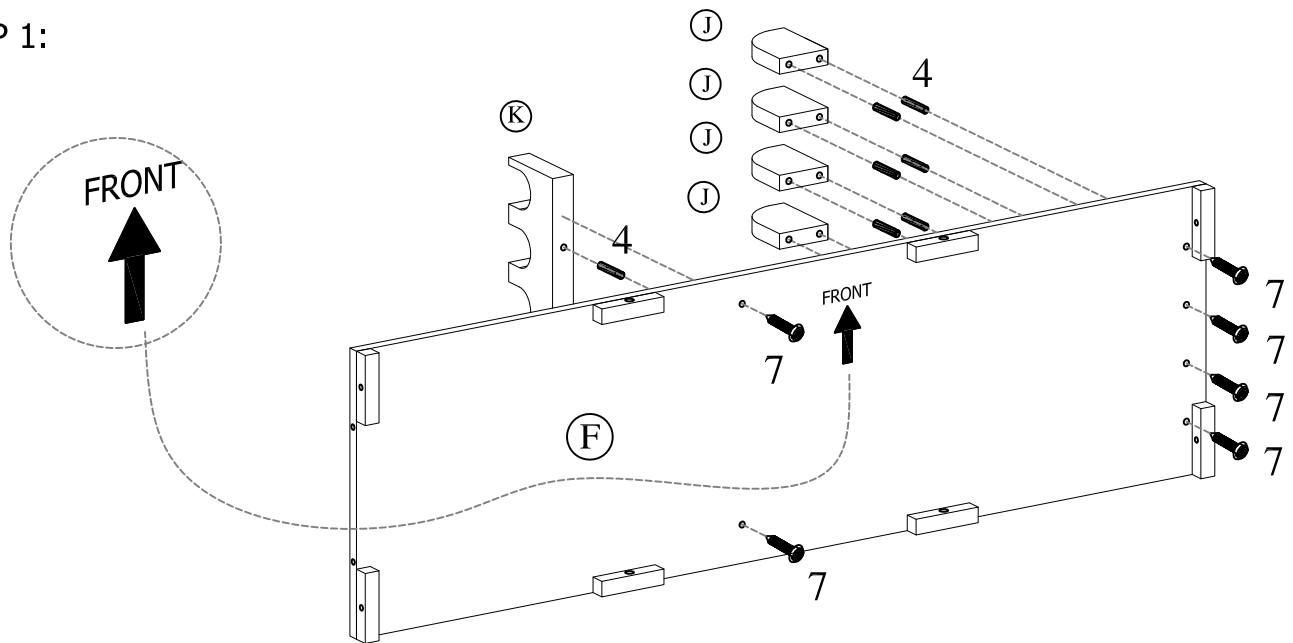
ITEM	DESCRIPTION	QTY
A	Left side frame	1
B	Right side frame	1
C	Backrest	1
D	Seat assembly	1
E	Lower panel	1
F	Bottom panel	1
G	Back panel	1
H	Front panel	1
I	Side rails	2
J	Butt rests	4
K	Barrel rest	1
L	Tray	1



HARDWARE LIST

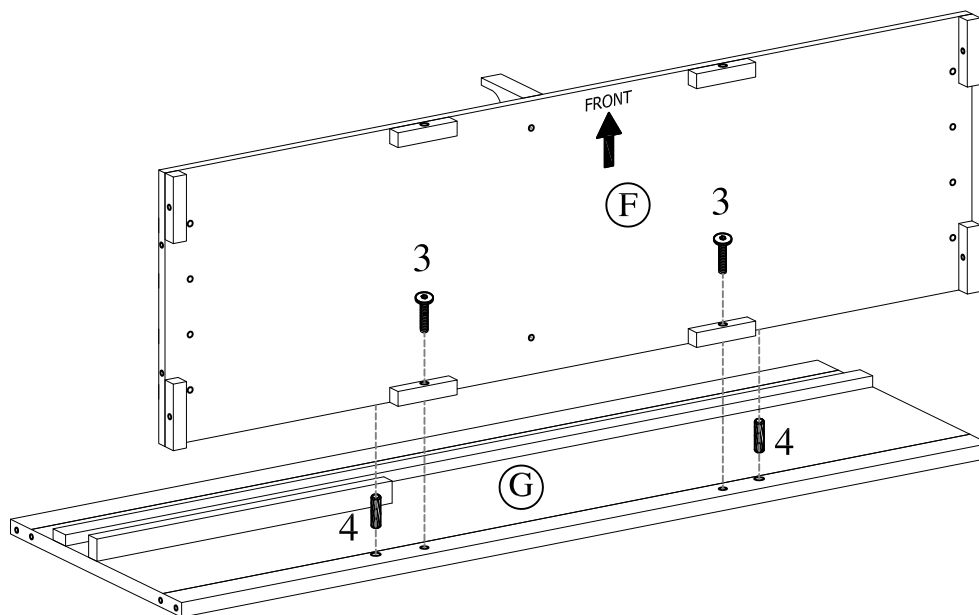
NO	SKETCH	DESCRIPTION	QTY
1		Long bolt	12
2		Middle bolt	4
3		Short bolt	6
4		Wood dowel	34
5		Screw	11
6		Screw	8
7		Screw	10
8		Wood plug	12
9	<p>left  right </p>	Safety hinge	2
10		Hook	1
11		Barrel nut	8
12		Wrench	1

STEP 1:



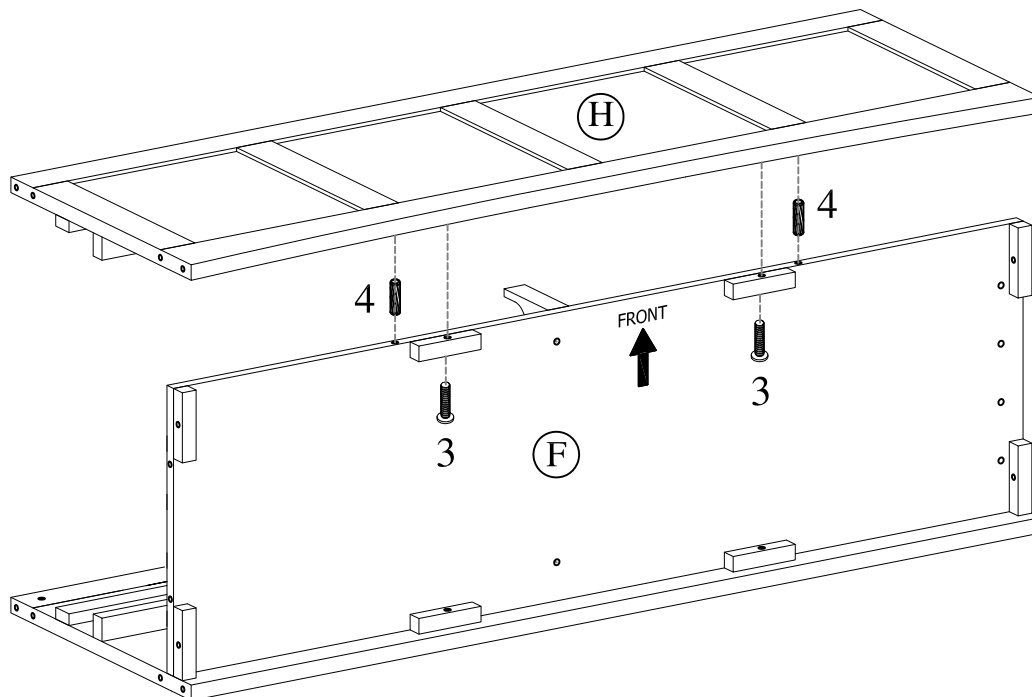
Attach barrel rest (K) and butt rests (J) to bottom panel (F) using dowels (4) and screw (7).

STEP 2:



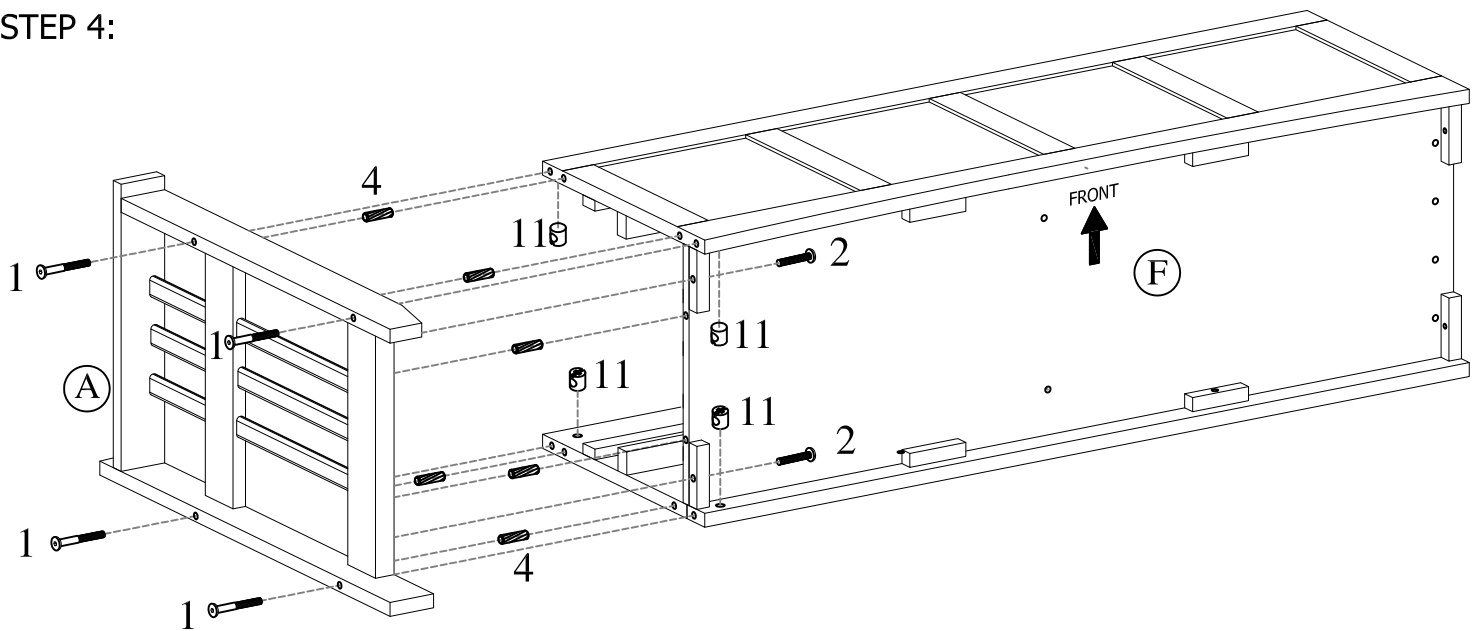
Attach bottom panel (F) to back panel (G) using dowels (4) and short bolt (3).

STEP 3:



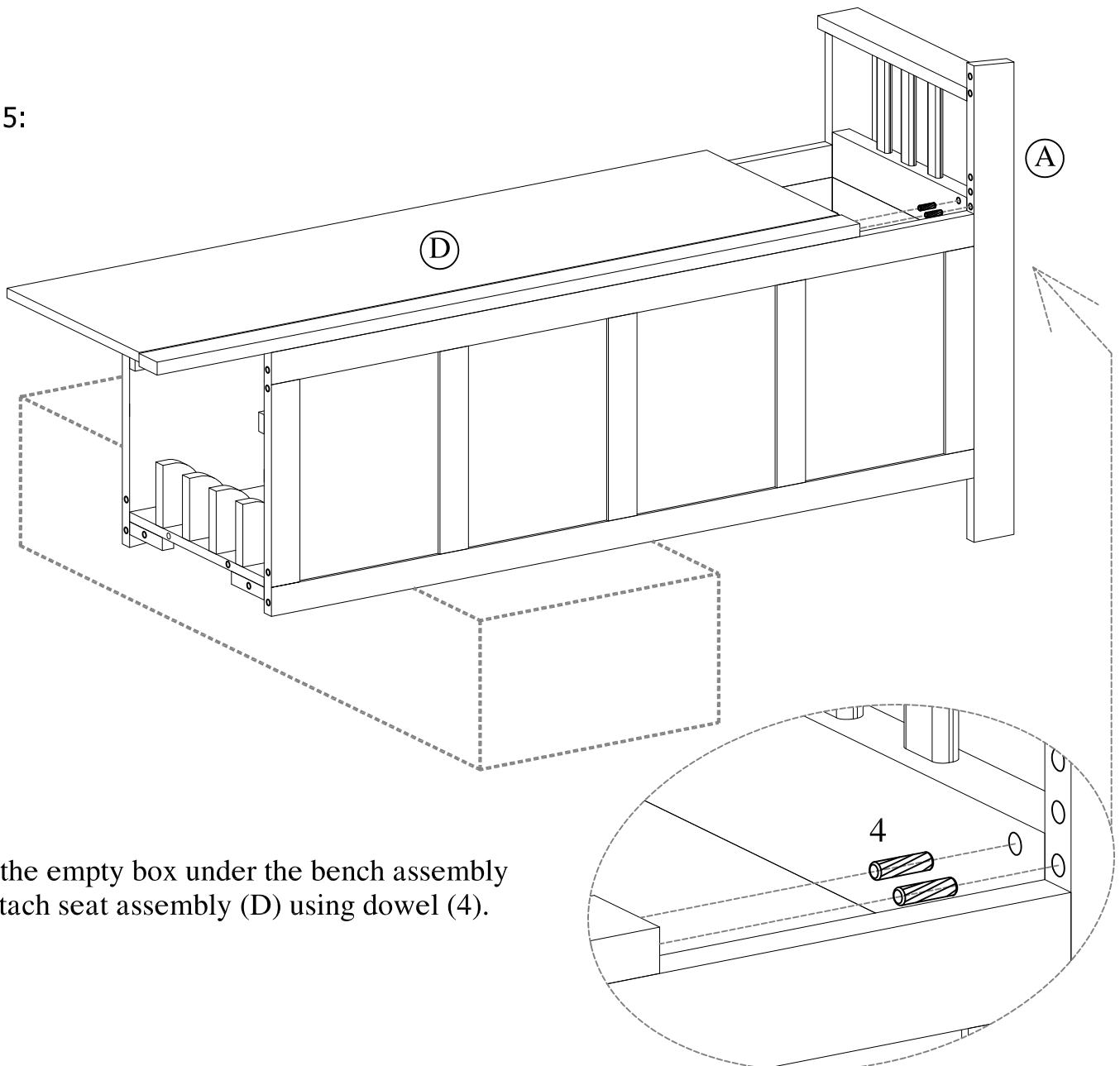
Attach front panel (H) to bottom panel (F) using dowels (4) and short bolt (3).

STEP 4:



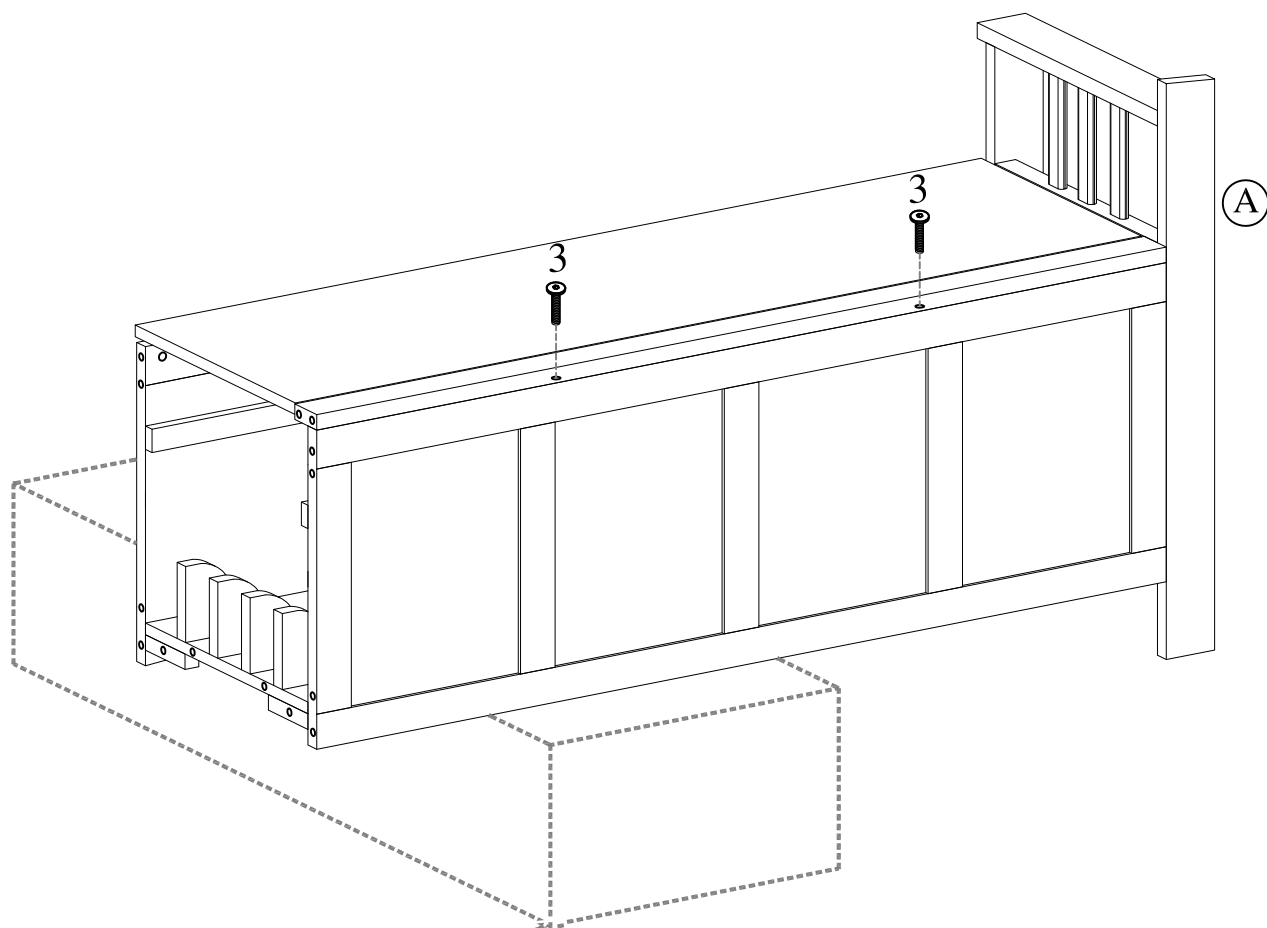
Attach left side frame (A) to the bench assembly as shown.
This step uses barrel nuts (11), long bolt (1), dowels (4) and middle length bolt (2).

STEP 5:



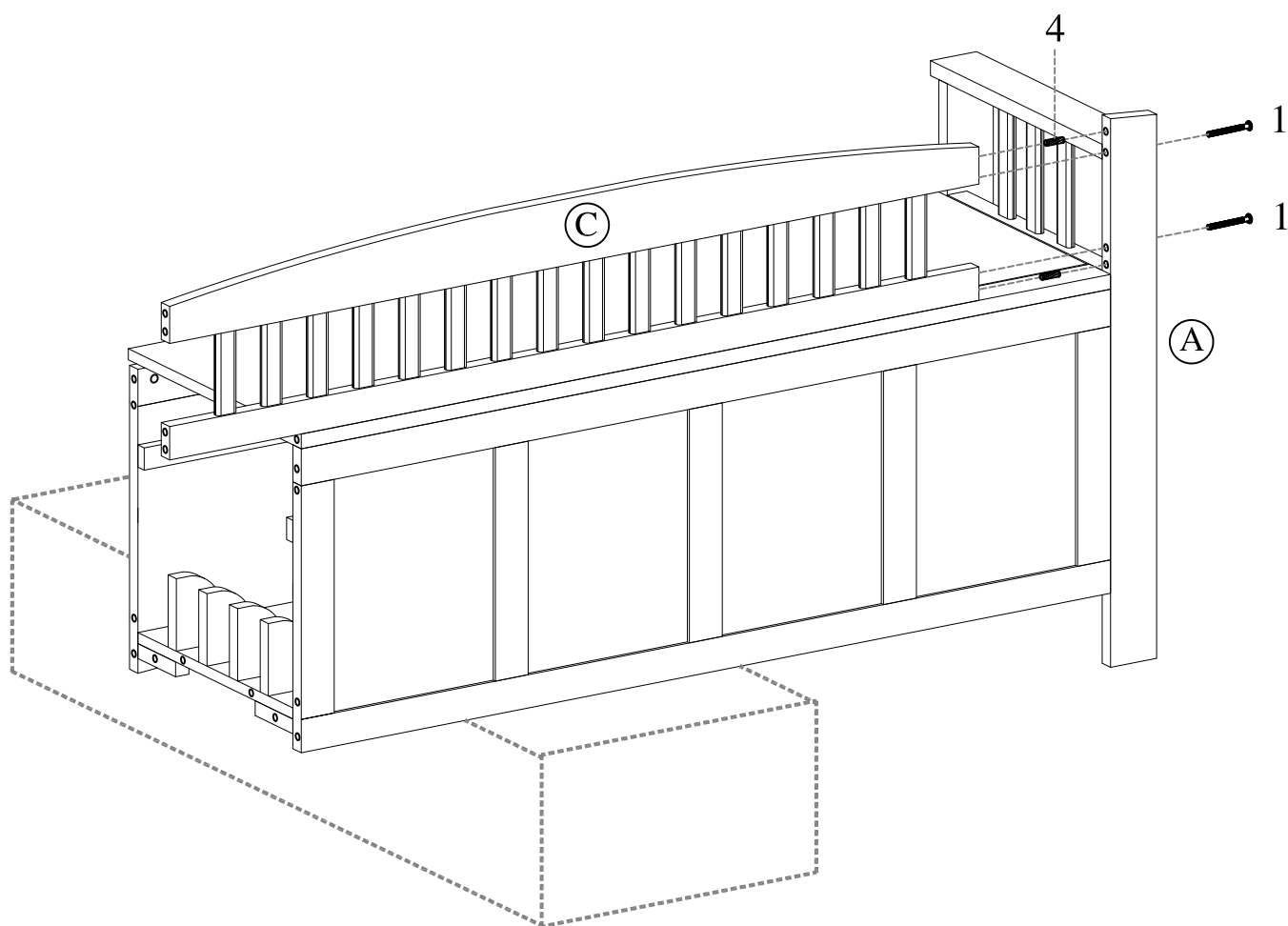
Place the empty box under the bench assembly
and attach seat assembly (D) using dowel (4).

STEP 6:



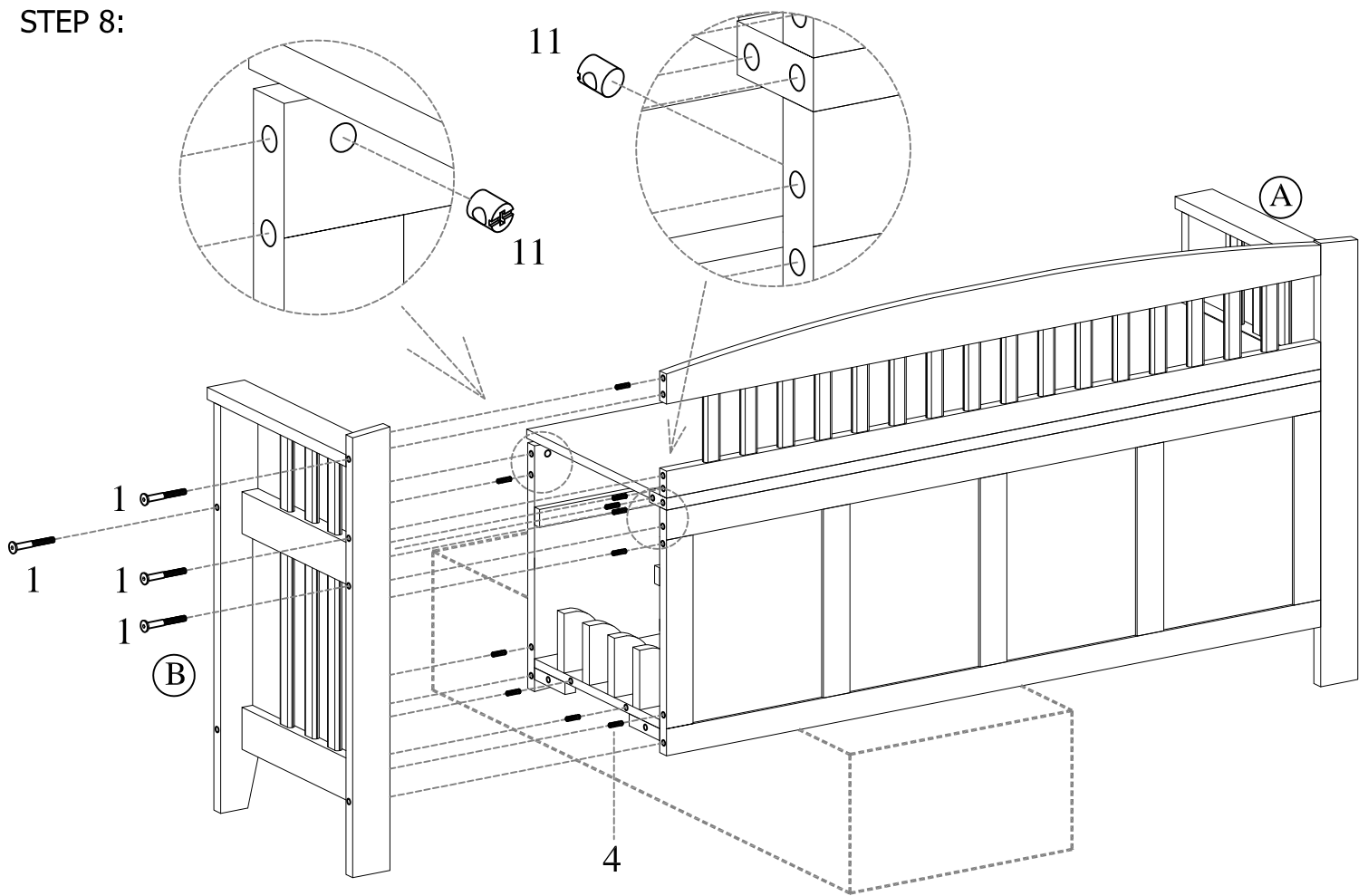
Secure seat assembly (D) to bench using short bolts (3).

STEP 7:



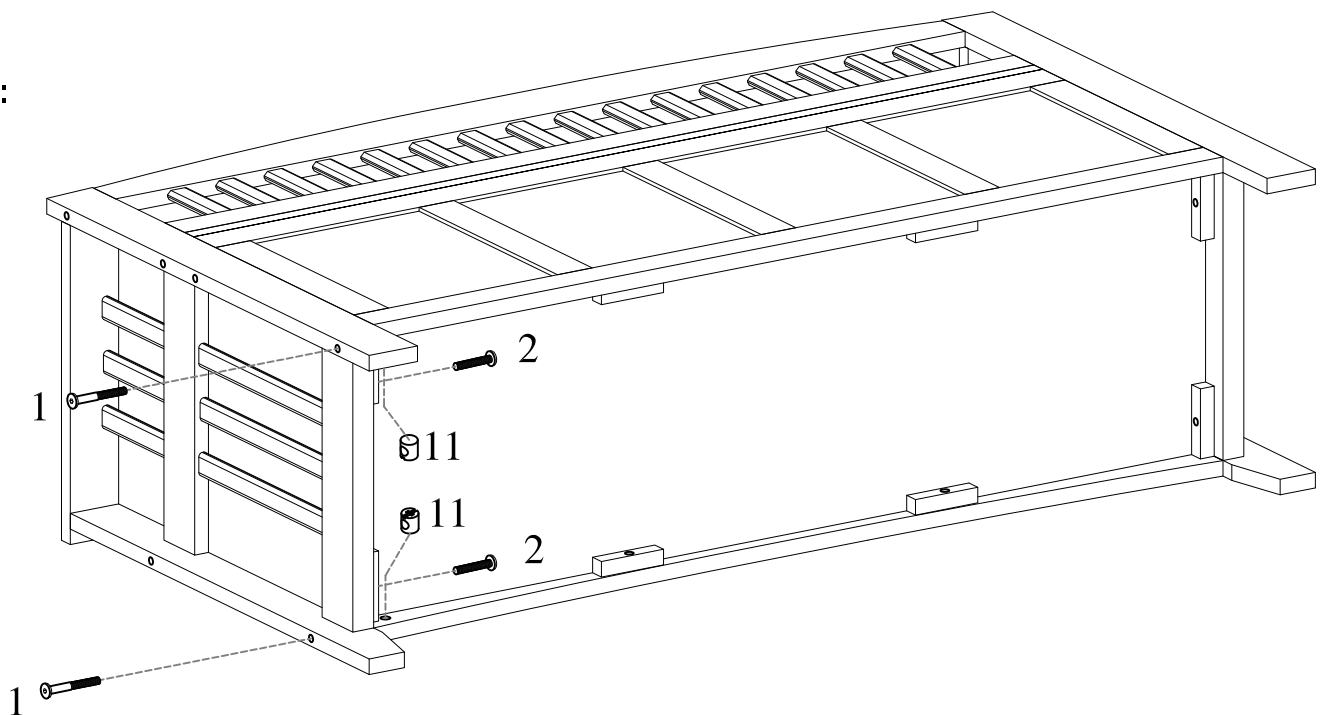
Attach backrest (C) to bench assembly using dowels (4) and long bolts (1).

STEP 8:



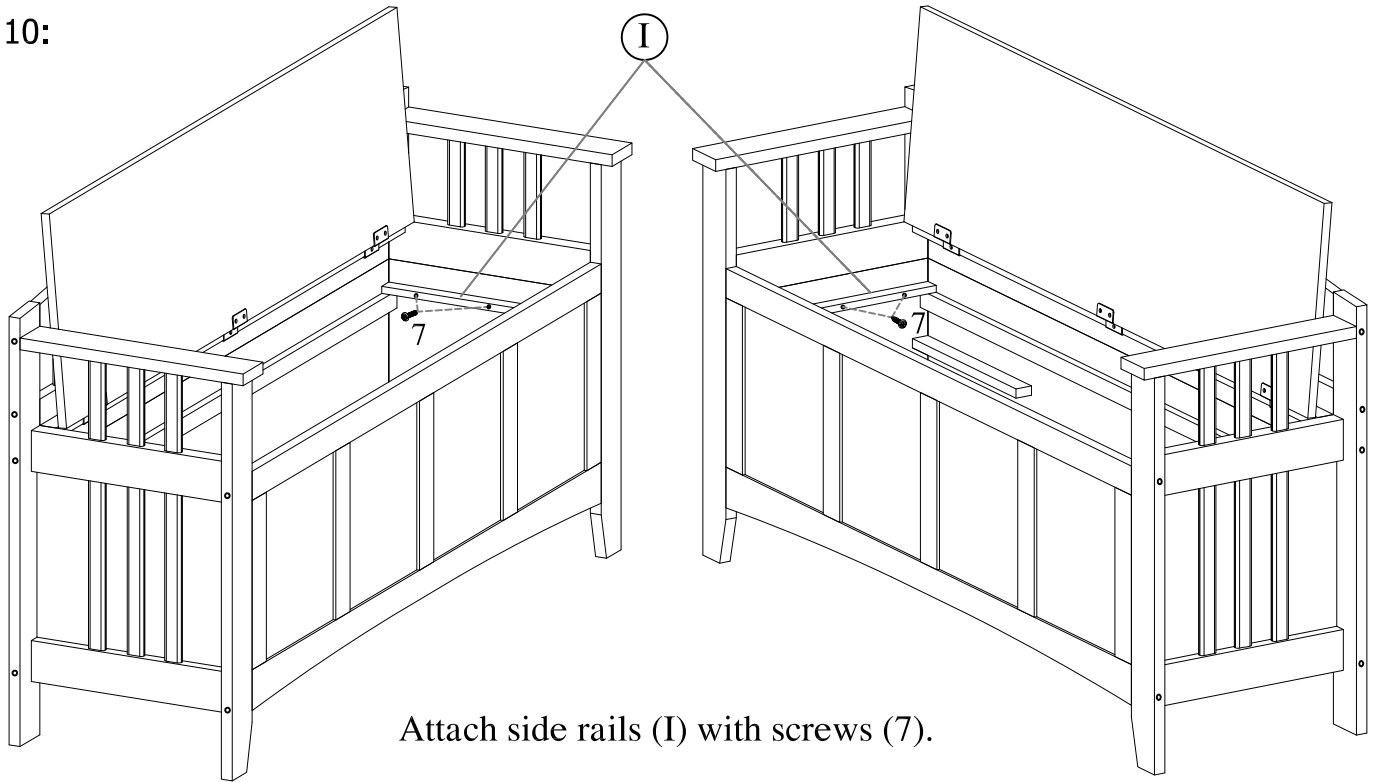
Attach right side frame (B) to the bench assembly as shown.
This step uses barrel nuts (11), long bolts (1) and dowels (4).

STEP 9:



Remove carton, place bench on its front and complete assembly using barrel nuts (11), long bolts (1) and middle bolts (2).
Make sure all bolts are now tight.

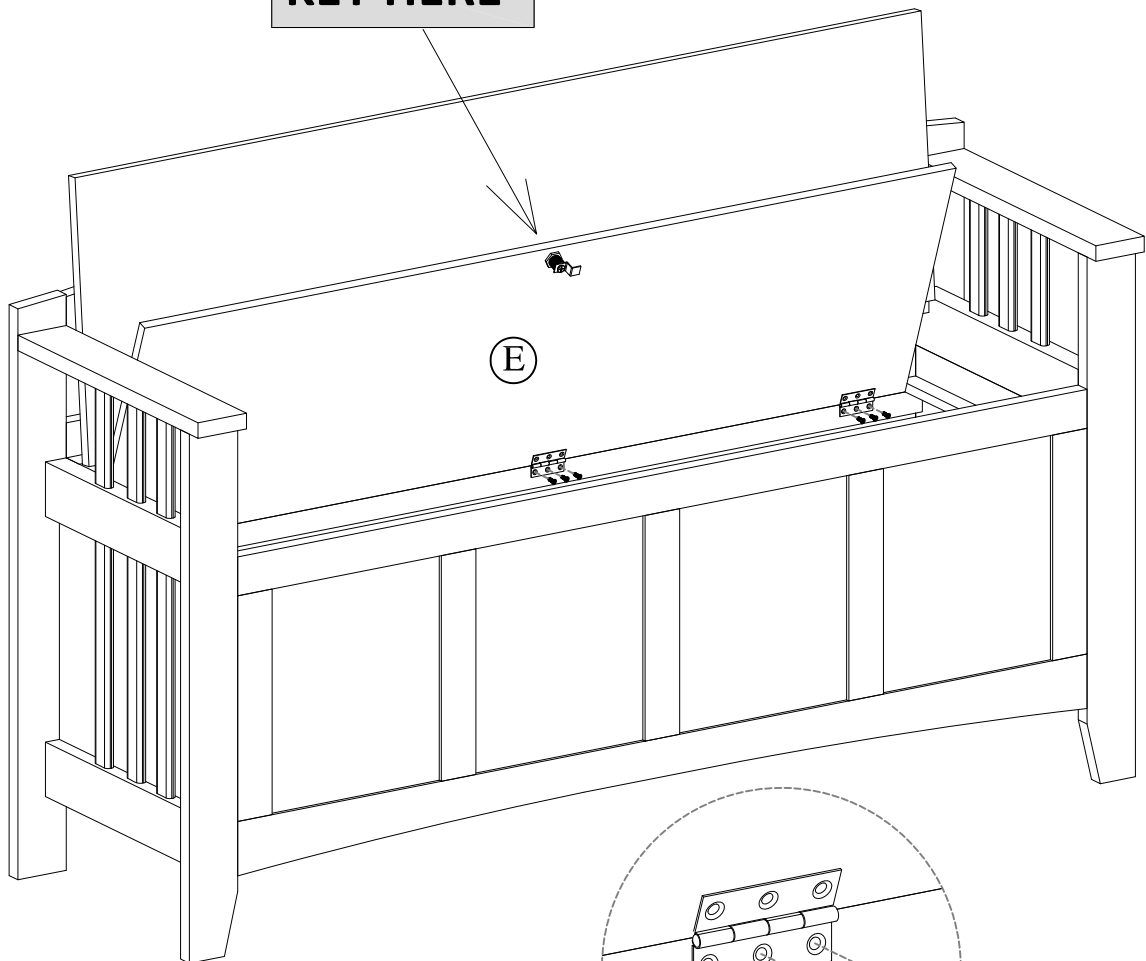
STEP 10:



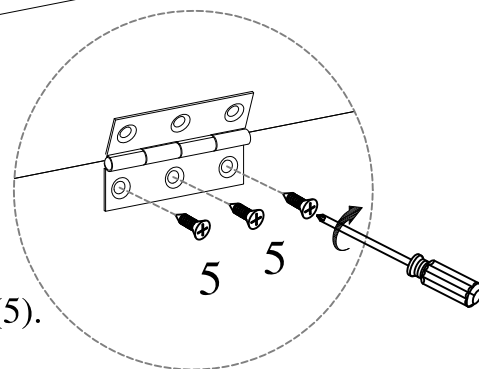
Attach side rails (I) with screws (7).

KEY HERE

STEP 11:

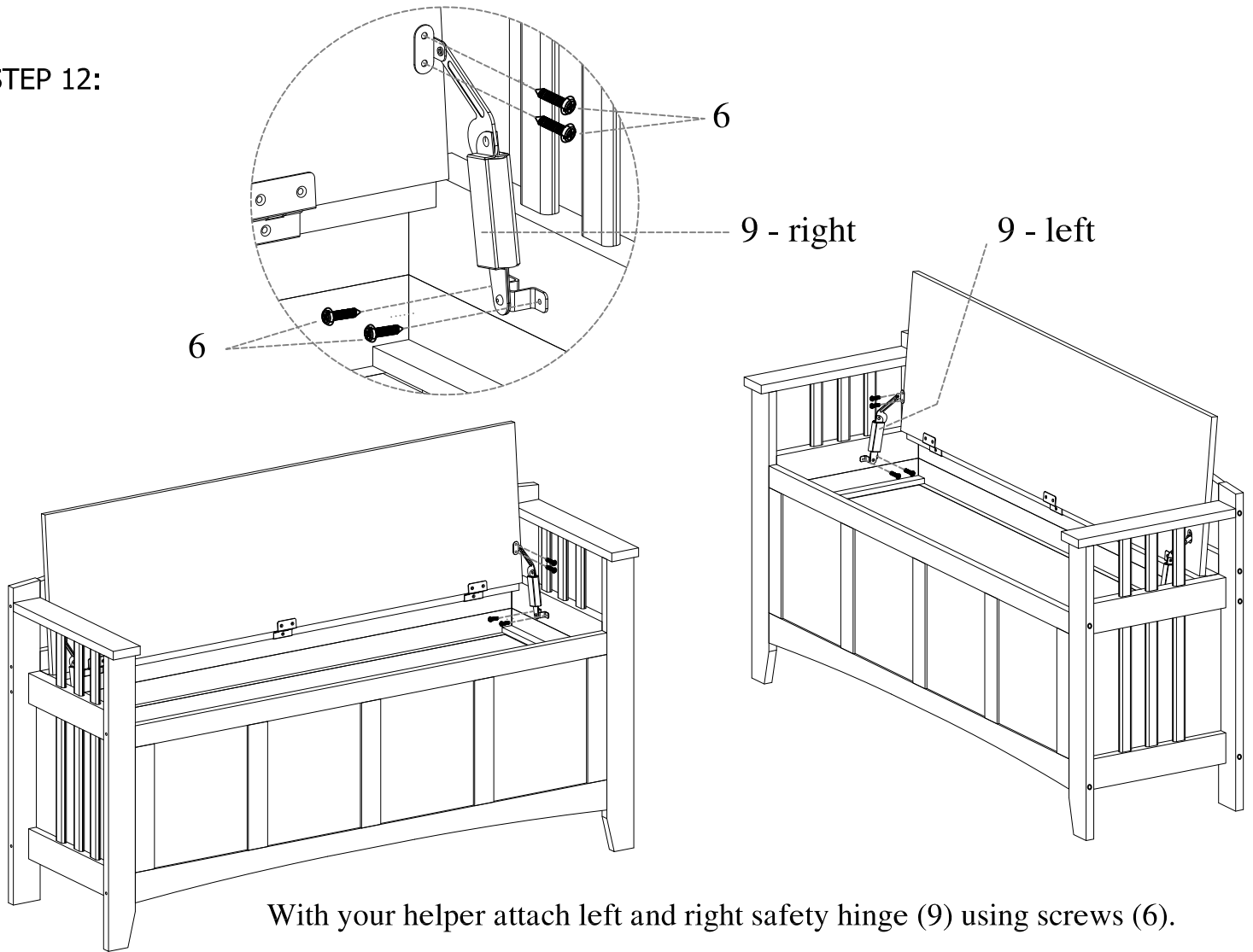


With a helper rest lower panel (E)
on the rail of back panel (B) and fasten with screws (5).



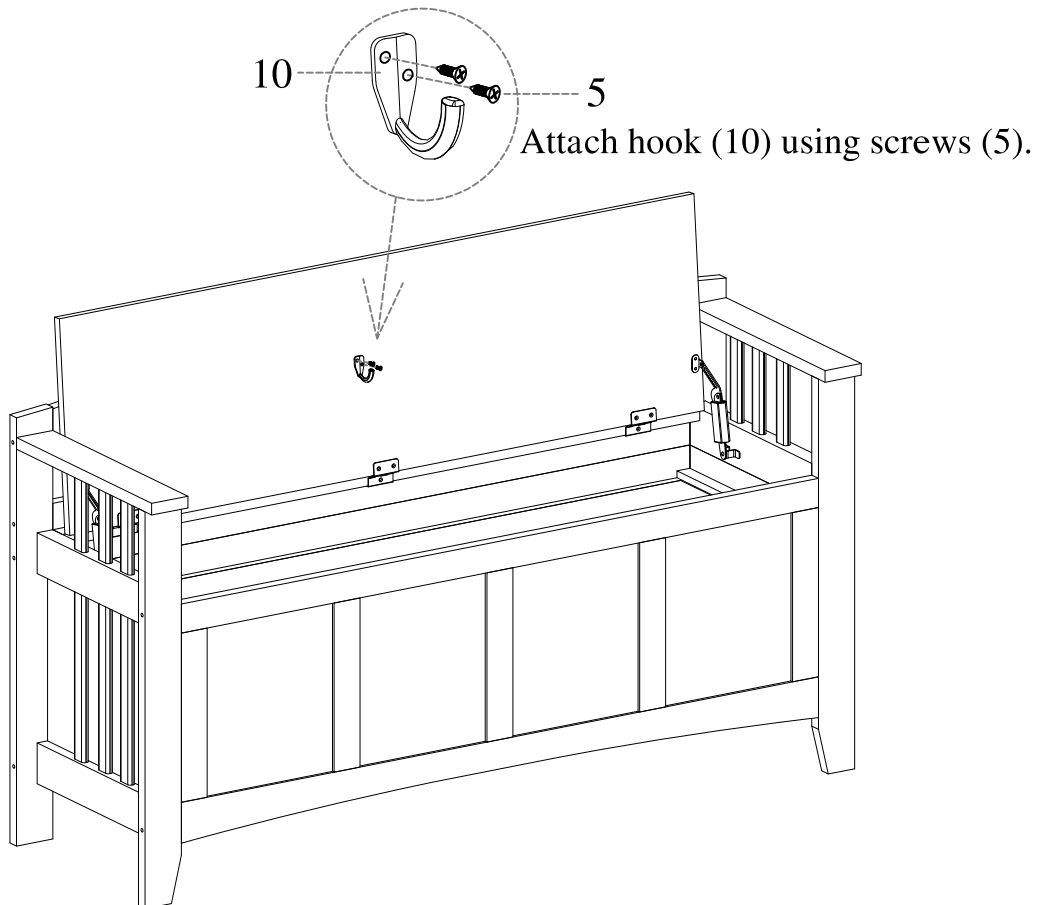
Phillips or Flat head
screw driver, not included.

STEP 12:

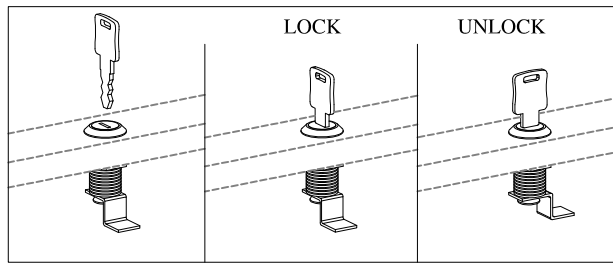


With your helper attach left and right safety hinge (9) using screws (6).

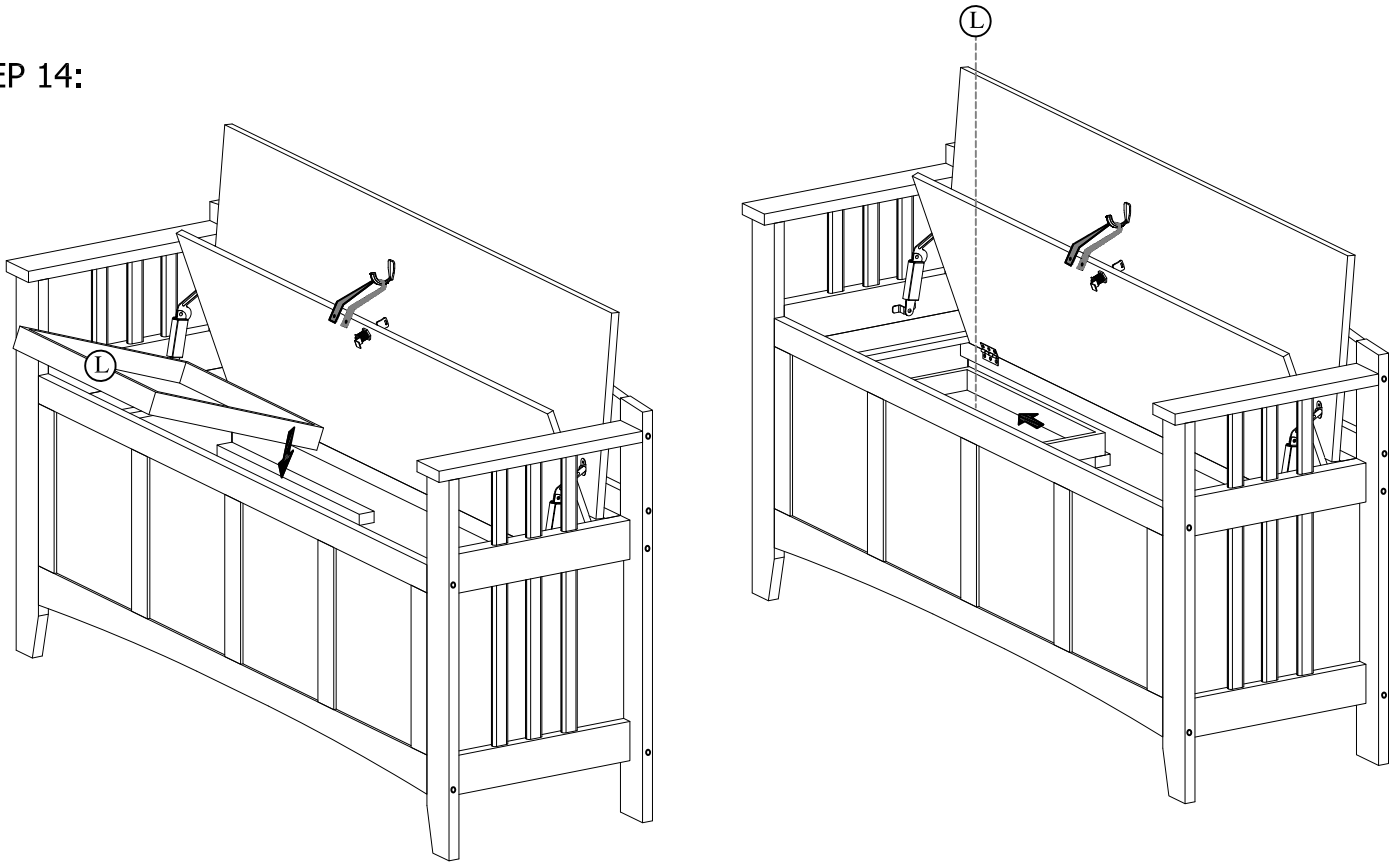
STEP 13:



Attach hook (10) using screws (5).



STEP 14:



STEP 15:

