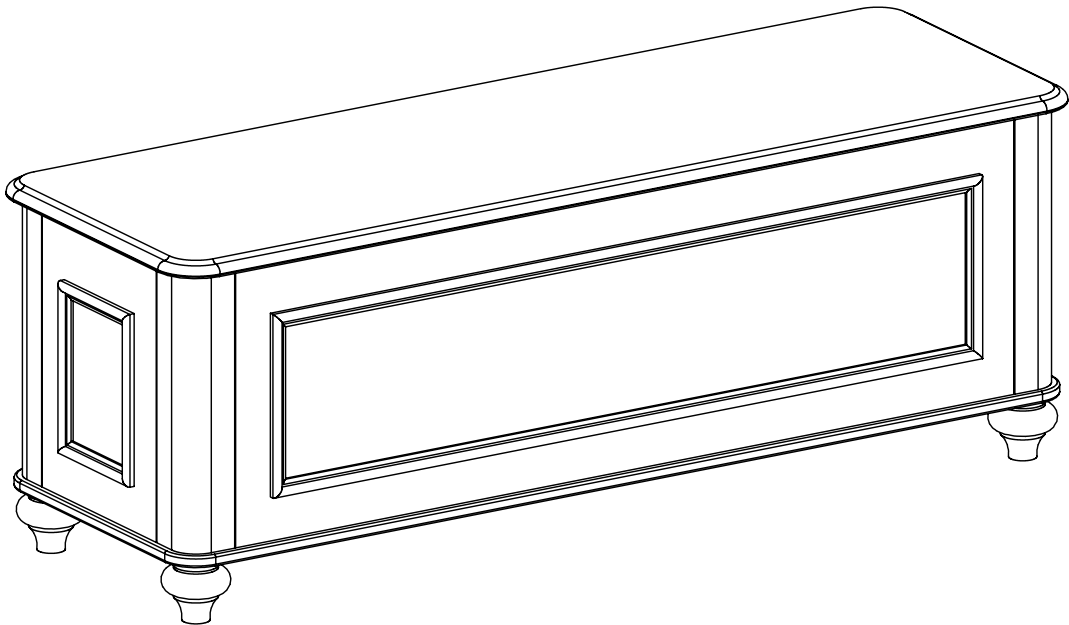




ASSEMBLY INSTRUCTIONS

Place all wooden parts onto a clean and smooth surface such as a rug or carpet to avoid the parts from being scratched and please follow the assembly instructions step by step. Assembly will require 2 people.
DO NOT use power tools.



PLEASE FEEL FREE TO CALL US FOR ASSEMBLY ASSISTANCE

Post Office Box 111 -Webb City, Missouri 64870- 0111

Toll Free- 888- 673- 9080

Fax- 417- 673- 9081

To order replacement parts online please visit:

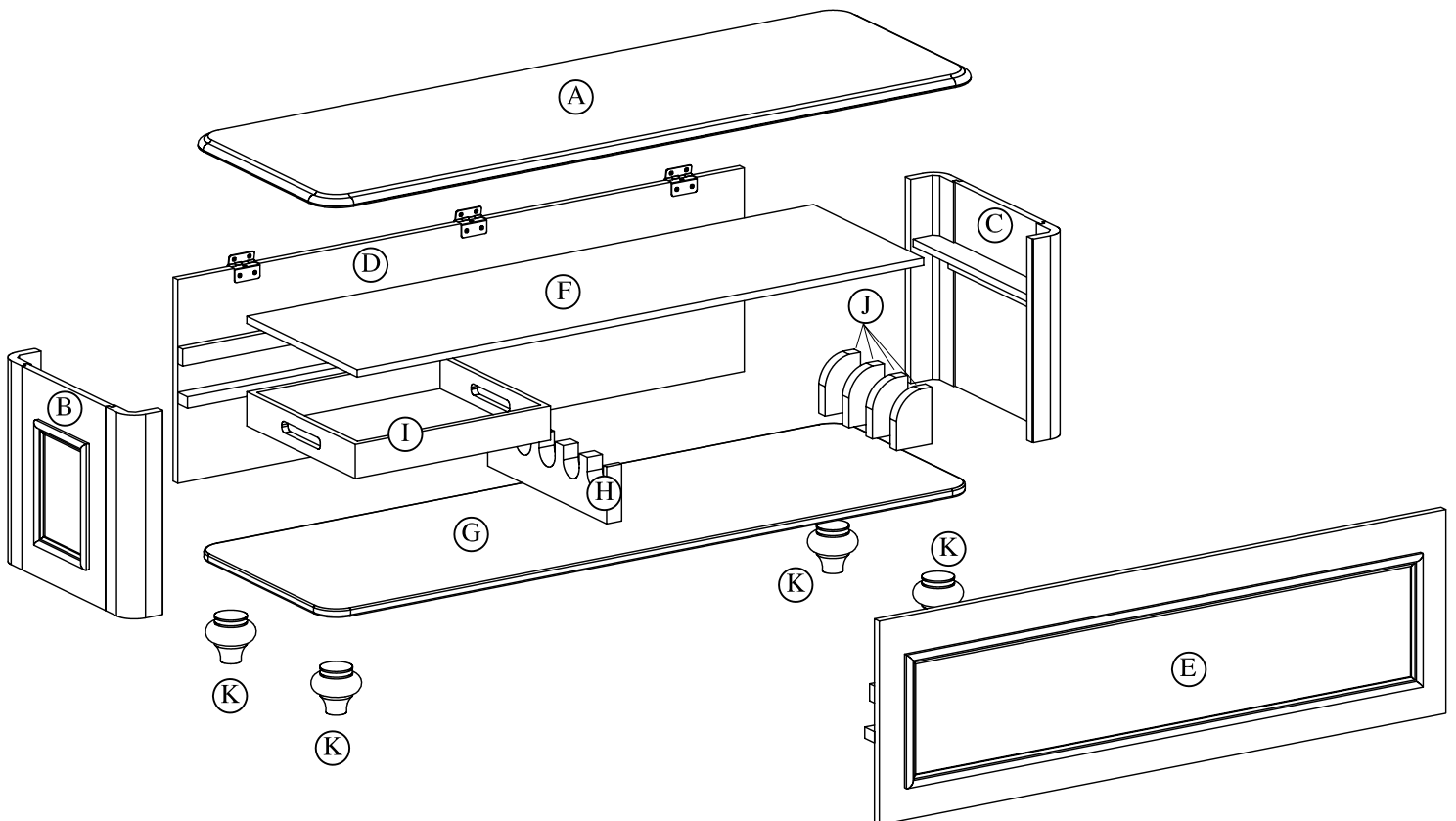
www.AmericanFurnitureClassics.com

or Email:

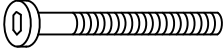
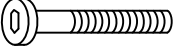








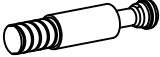



service@americanfurnitureclassics.com

PARTS LIST

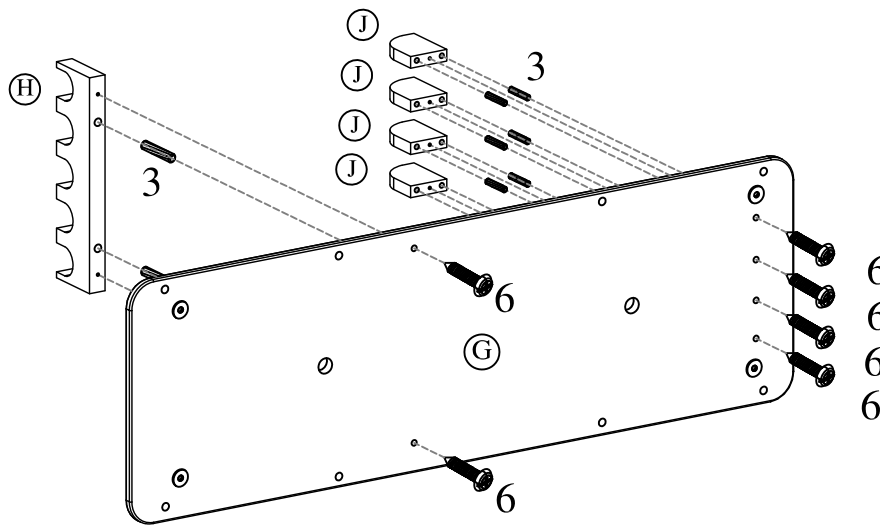
ITEM	DESCRIPTION	QTY
A	Top panel	1
B	Left side frame	1
C	Right side frame	1
D	Back panel	1
E	Front panel	1
F	Lower panel	1
G	Bottom panel	1
H	Barrel rest	1
I	Tray	1
J	Butt rests	4
K	Base	4



HARDWARE LIST

NO	SKETCH	DESCRIPTION	QTY
1		Long bolt	4
2		Short bolt	4
3		Wood dowel	22
4		Screw	20
5		Screw	8
6		Screw	6
7	<p>left  right </p>	Safety hinge	2
8		Hook	1
9		Barrel nut	4
10		Cambolt	8
11		Camlock	8
12		Wrench	1
13		Key	1set

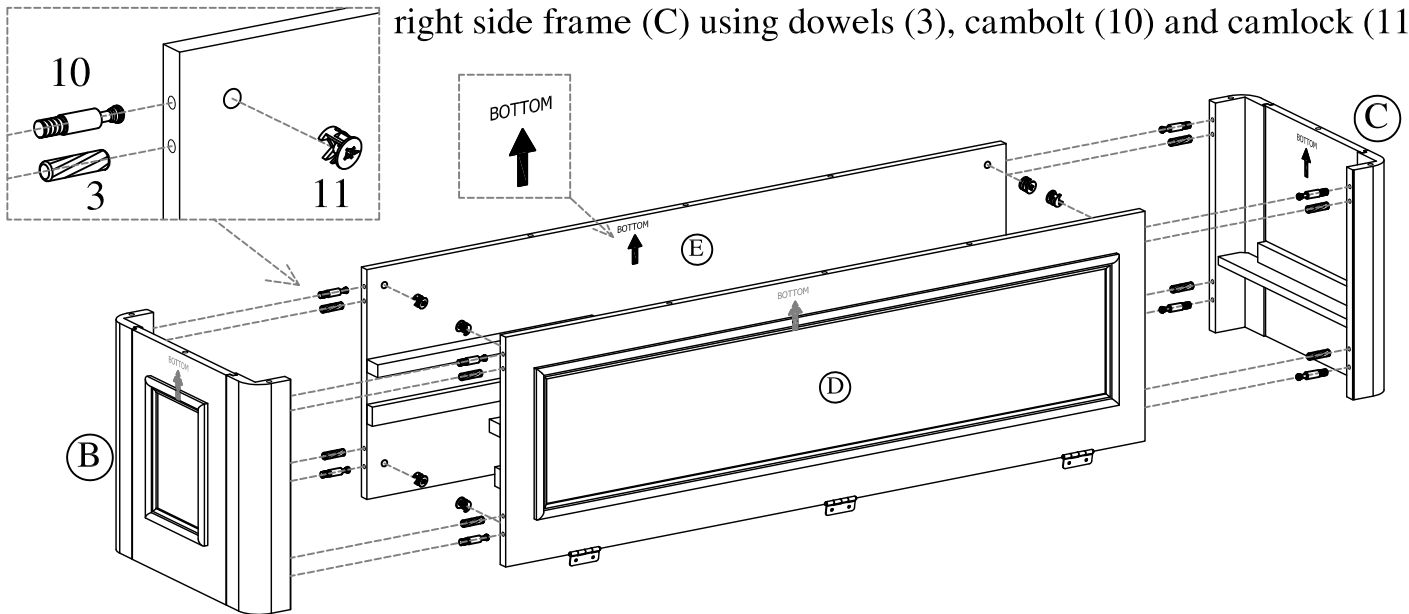
STEP 1:



Attach barrel rest (H) and butt rests (J) to bottom panel (G) using dowels (3).
Install and tighten screws (6) into the pilot holes on the panel (H) and (J) as shown.

STEP 2:

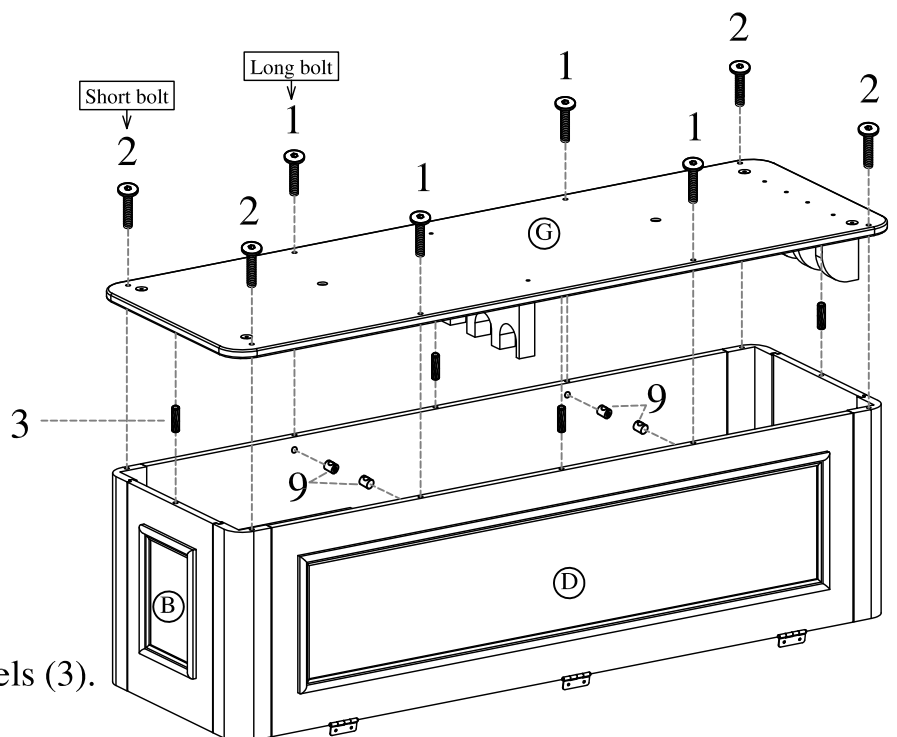
Attach front panel (E) and back panel (D) to left side frame (B),
right side frame (C) using dowels (3), cambolt (10) and camlock (11).



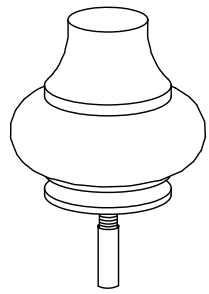
STEP 3:

Attach bottom panel (G) to the
bench assembly as shown.

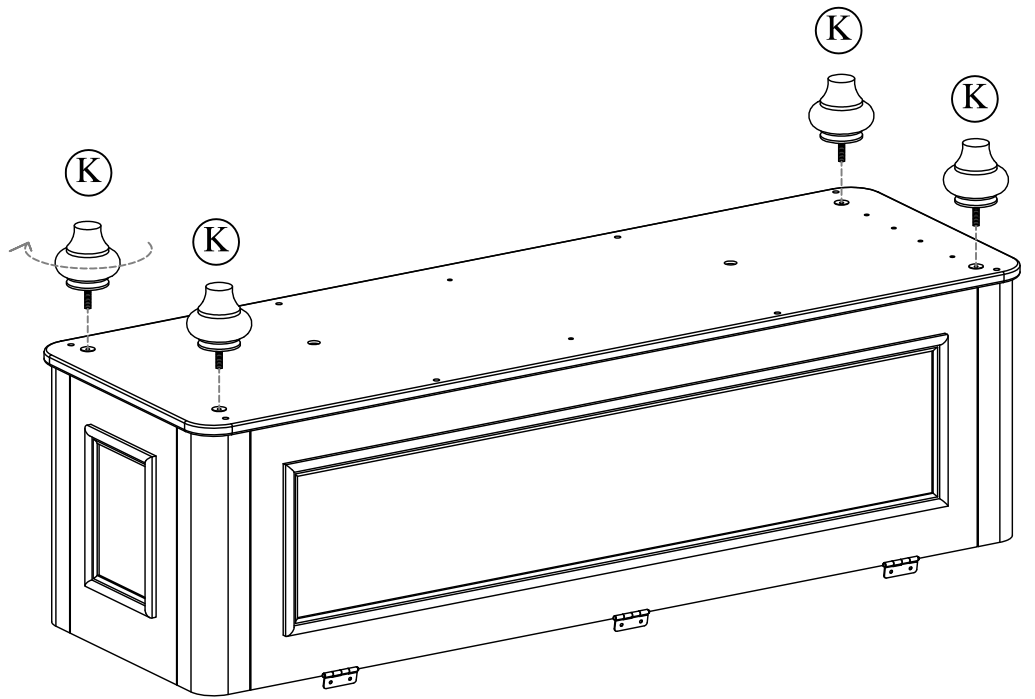
This step uses barrel nuts (9),
long bolt (1), short bolt (2) and dowels (3).



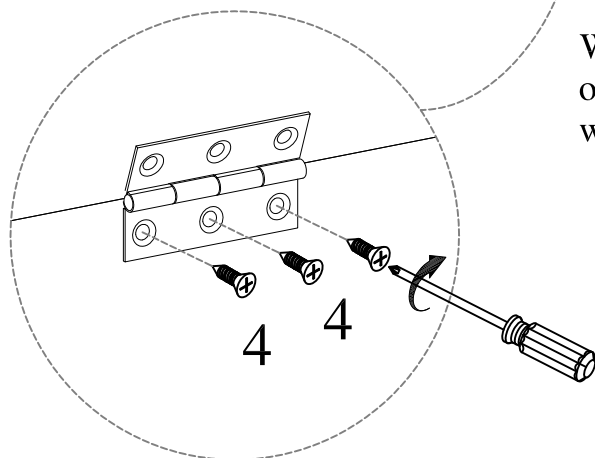
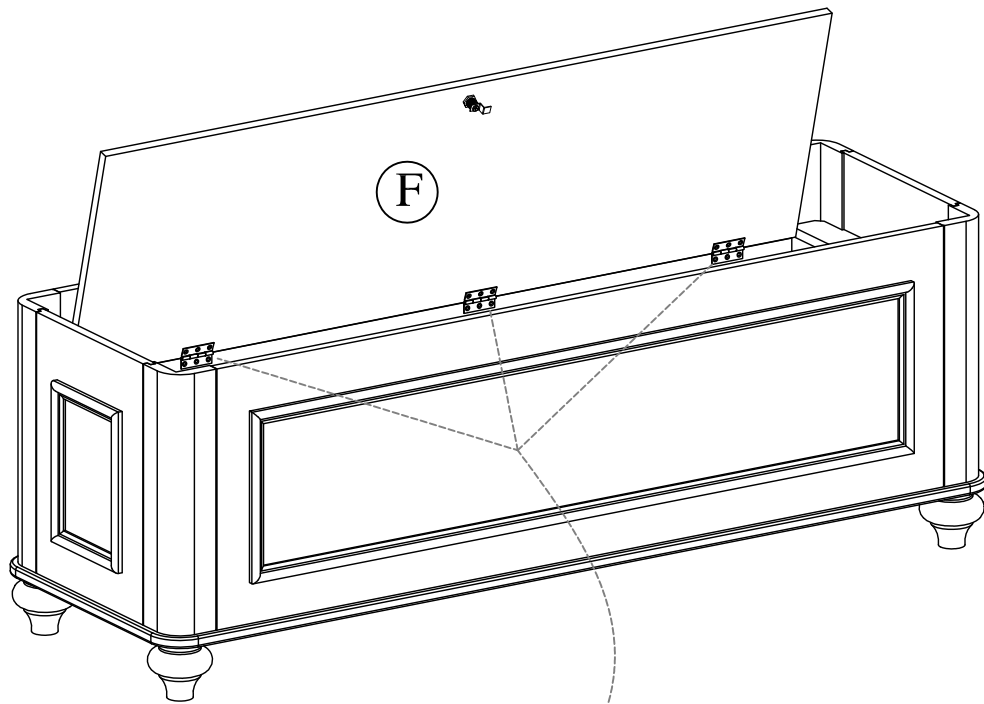
STEP 4:



Please remove plastic protecting cap before assemble.



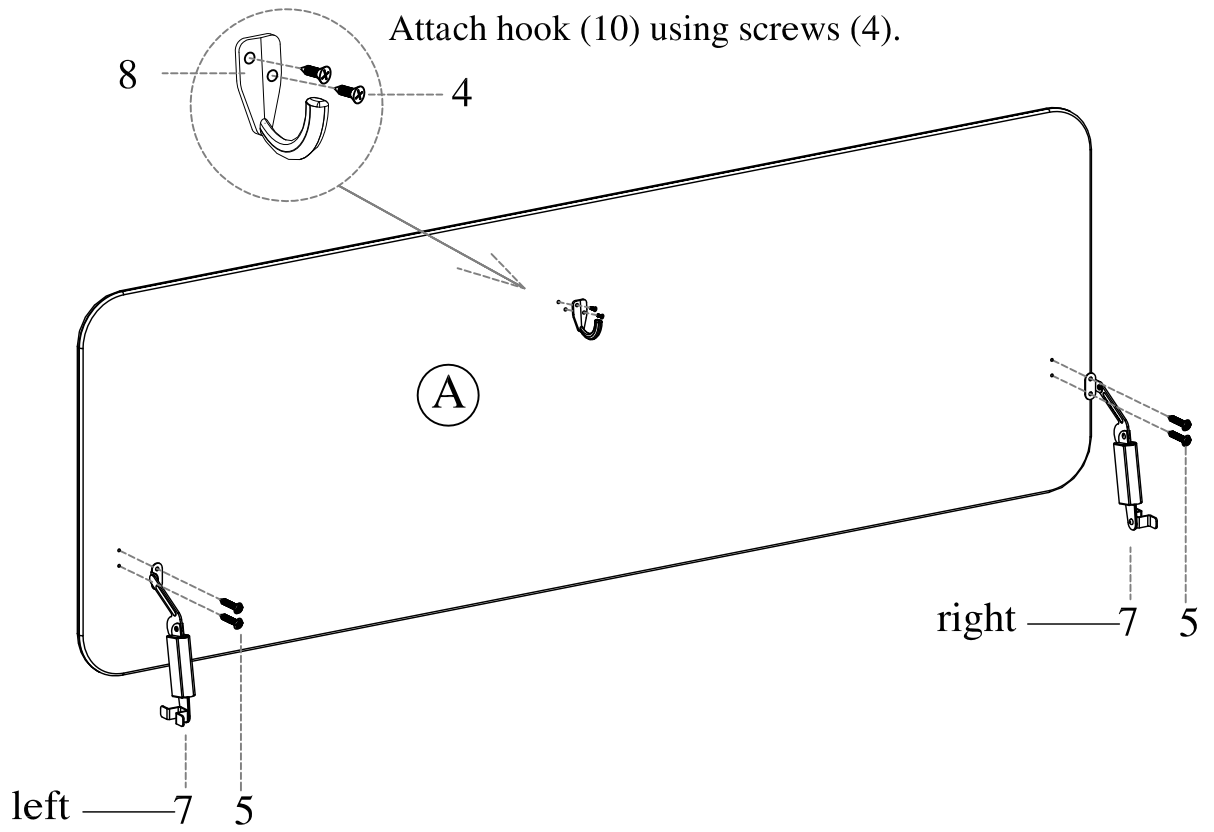
STEP 5:



With a helper rest lower panel (F) on the rail of back panel (D) and tighten with screws (4).

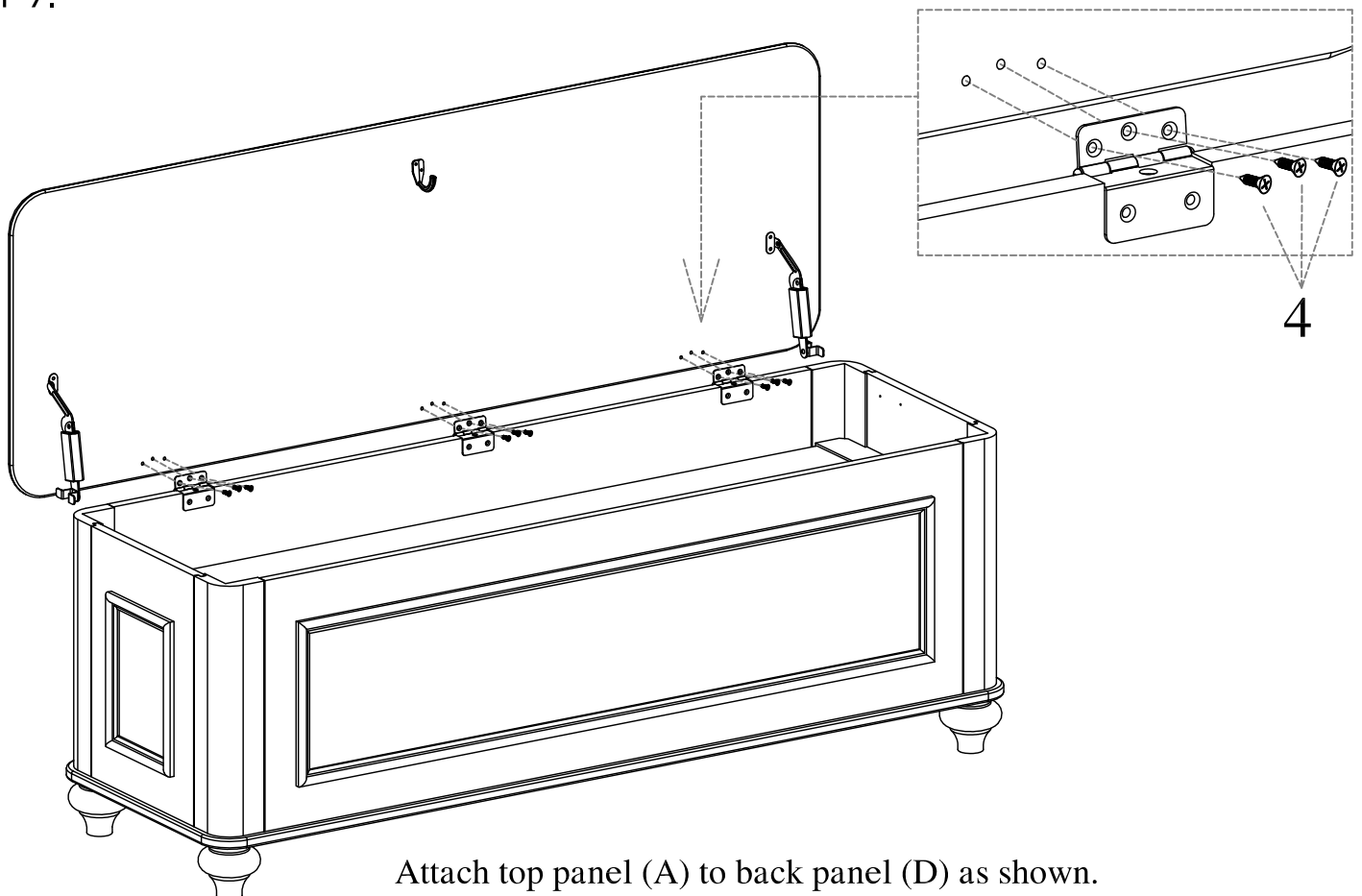
Phillips or Flat head screw driver, not included.

STEP 6:



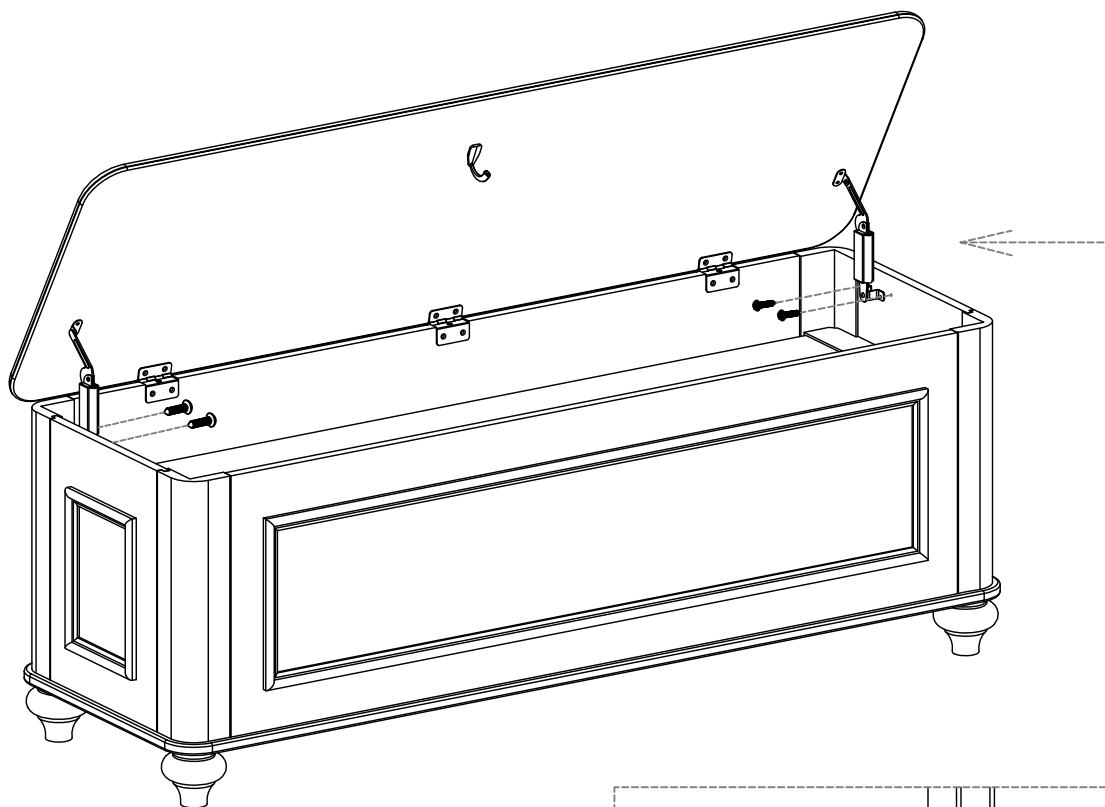
Attach left and right safety hinge (7) to top panel (A) using screws (5).

STEP 7:

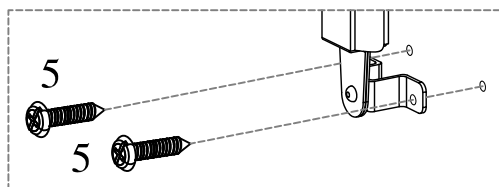


Attach top panel (A) to back panel (D) as shown.
This step using screws (4).

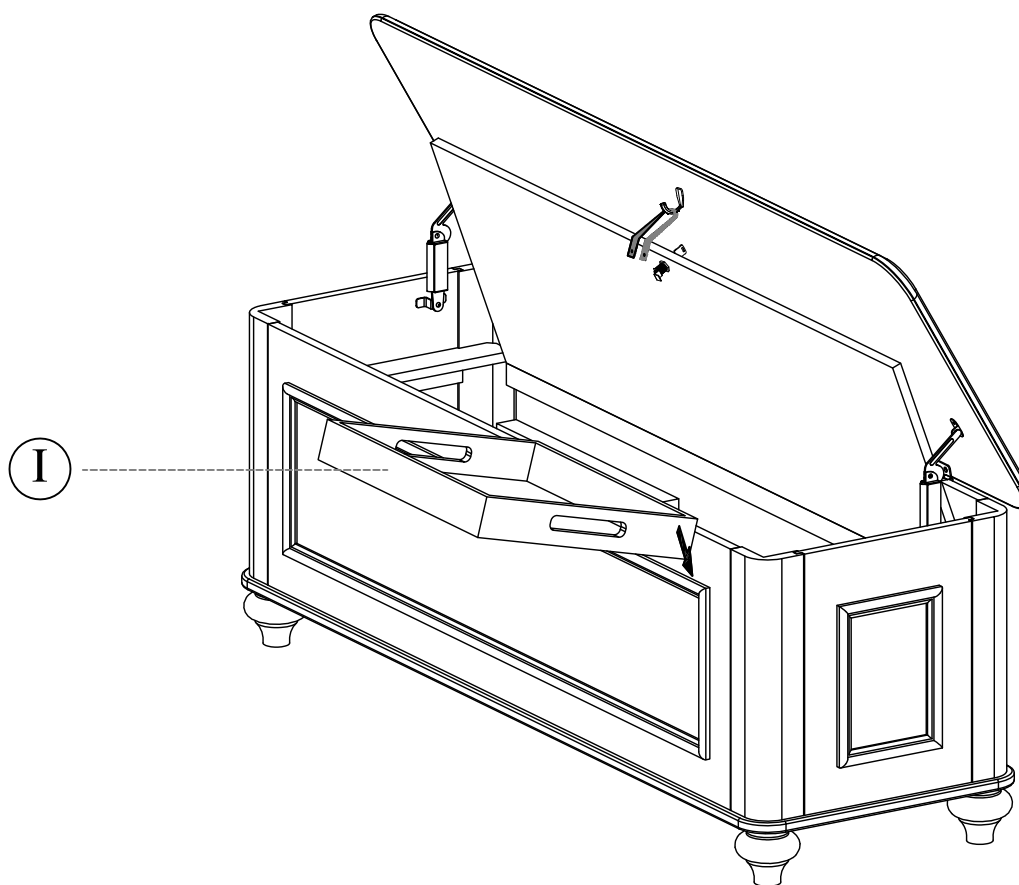
STEP 8:



Tighten screws (4) as shown.



STEP 9:



STEP 10:

