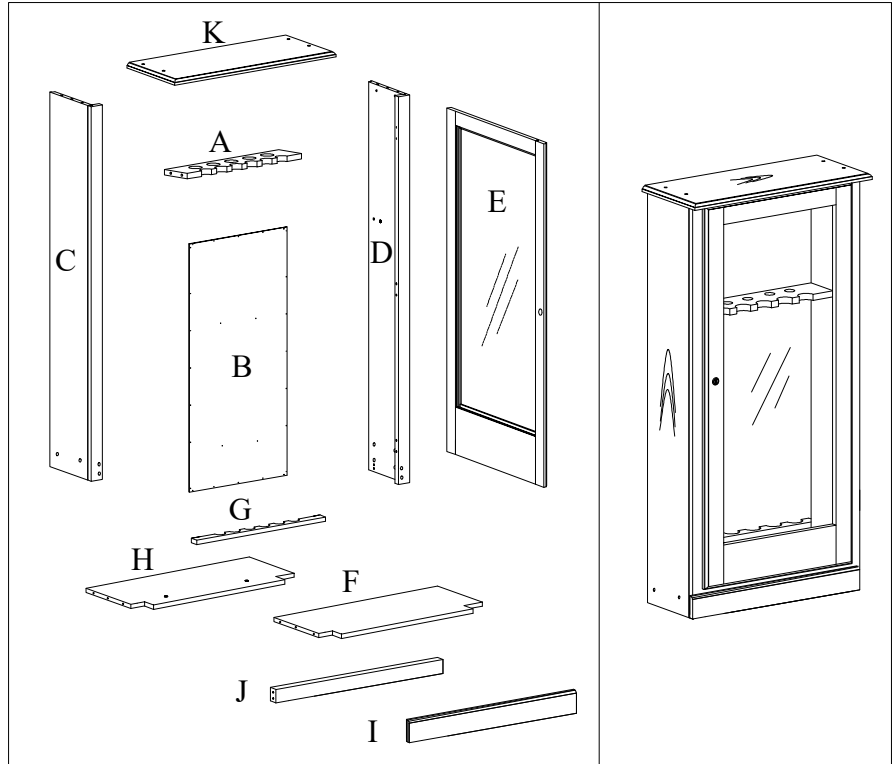


# Assembly Instructions

## 724# Gun Cabinet

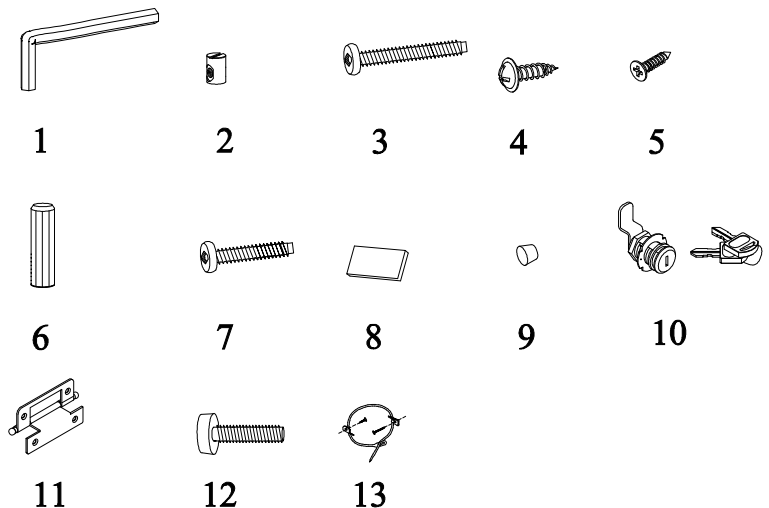
### Components List:

- A. Barrel Rest.....1pc
- B. Back Panel.....1pc
- C. Left Side Panel.....1pc
- D. Right Side Panel .....1pc
- E. Door Panel .....1pc
- F. Lower Panel .....1pc
- G. Lower Barrel Rest.....1pc
- H. Lower Middle Panel.....1pc
- I. Lower Front Rail.....1pc
- K. Top Panel .....1pc



### Hardware List:

- 1. "L"Wrench .....1pc
- 2. Metal Bullet..... 8pcs
- 3. Long Machine Screw.....8pcs
- 4. Round Head Wood Screw.....28pcs
- 5. Flat Head Hinge Screw.....12pcs
- 6. Dowel.....20pcs
- 7. Short Machine Screw.....2pcs
- 8. Door Spacer Block.....1pcs
- 9. Door Plugs.....4pcs
- 10. Keys.....1pc
- 11. Hinges.....3pcs
- 12. Levelers.....4pcs
- 13. Tipping restraint.....1pc



Post Office Box 111 - Webb City, Missouri 64870 - 0111

Toll Free - 888 - 673 - 9080

Fax - 417 - 673 - 9081

To order replacement parts online please visit:

[www.AmericanFurnitureClassics.com](http://www.AmericanFurnitureClassics.com)

or E - mail :

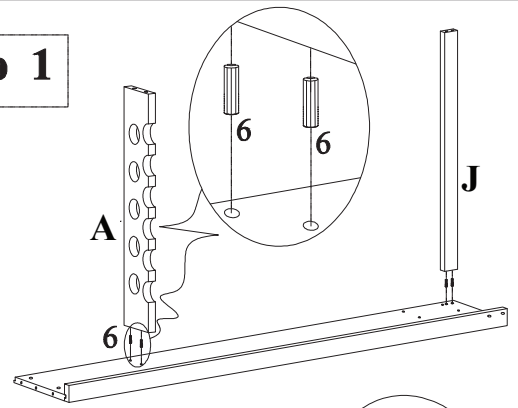
[service@americanfurnitureclassics.com](mailto:service@americanfurnitureclassics.com)

# Assembly Instructions: 724# Gun Cabinet

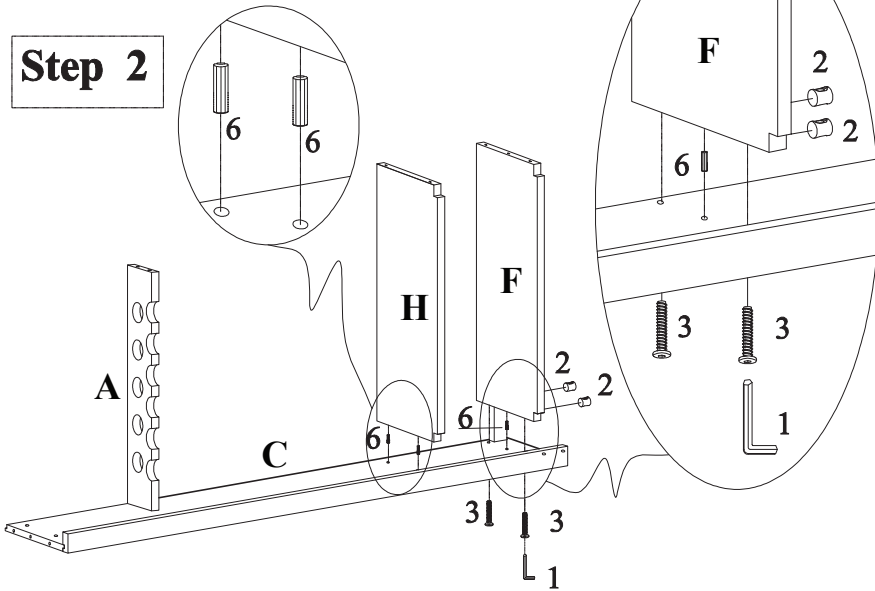
## Step 1:

Place Left Side Panel (C) down on a clean smooth surface. Attach Barrel Rest (A) and Lower Back Rail (J) by inserting Dowel (6) into the non-threaded holes.

## Step 1



## Step 2



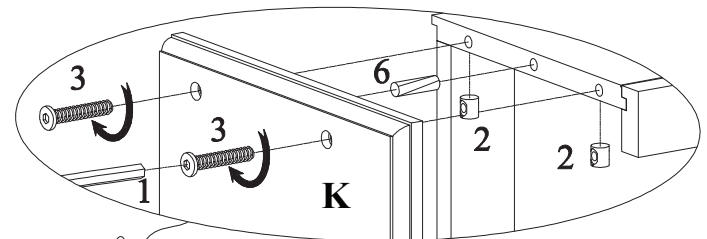
## Step 3

### Step 2:

Attach Lower Panel (F) and Lower Middle Panel (H) to the Left Side Panel (C) by inserting the Dowel (6). Insert Machine Screw (3) through Left Side Panel (C) and into the Metal Bullet (2) inserted into the holes in Lower Panel (F) and Lower Middle Panel (H). Tighten the Machine Screw (3) using the "L" Wrench (1).

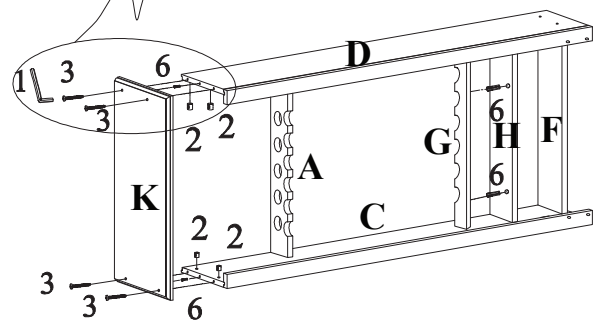
### Step 3:

Attach Right Side Panel (D) to the Barrel Rest (A), Lower Panel (F), Lower Middle Panel (H) and Lower Back Rail (J) by inserting the Dowel (6). Insert Machine Screw (3) through Right side panel (D) and into the Metal Bullet (2) inserted into the holes in Lower Panel (F) and Lower Middle Panel (H). Tighten the Machine Screw (3) using the "L" Wrench (1).



### Step 4:

Insert the Dowel (6) into the holes on the bottom side of the Top Panel (K) and into the Left Side Panel (C) and Right Side Panel (D). Insert the Long Machine Screw (3) through the Top Panel (K) and into the Metal Bullet (2) inserted into the Left Side Panel (C) and Right Side Panel (D). Tighten the Long Machine Screw (3) using the "L" Wrench (1). Place the Lower Barrel Rest (G) on the Lower Middle Panel (H) by inserting Dowel (6) into the non-threaded holes.



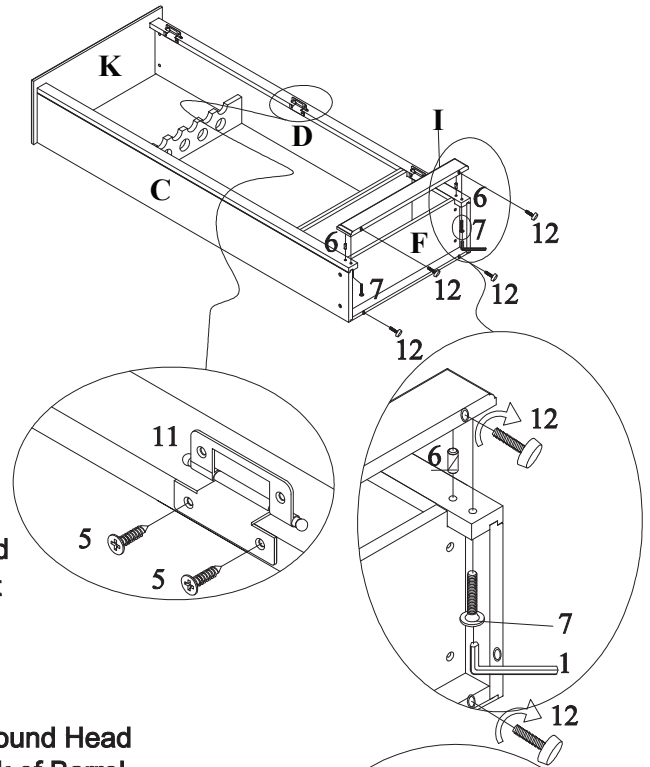
## Step 4

# Assembly Instructions: 724# Gun Cabinet

## Step 5:

Attach Lower Front Rail (I) on the both of Left Side Panel (C) and Right Side Panel (D) by inserting Dowel (6) into the non-threaded holes and insert Short Machine Screw (7) into the threaded holes, tight all bolts with "L" Wrench (1). Place gun cabinet down on smooth surface. align the holes on the hinges (11) with the pre-drilled holes on the right side panel (D). Insert Flat Head Hinge Screw (5) into the holes on the hinges (11) and tighten into the right side panel (D). Screw the Levelers (12) into the bottom of Lower Front Rail (I) and Lower Back Rail (J).

## Step 5



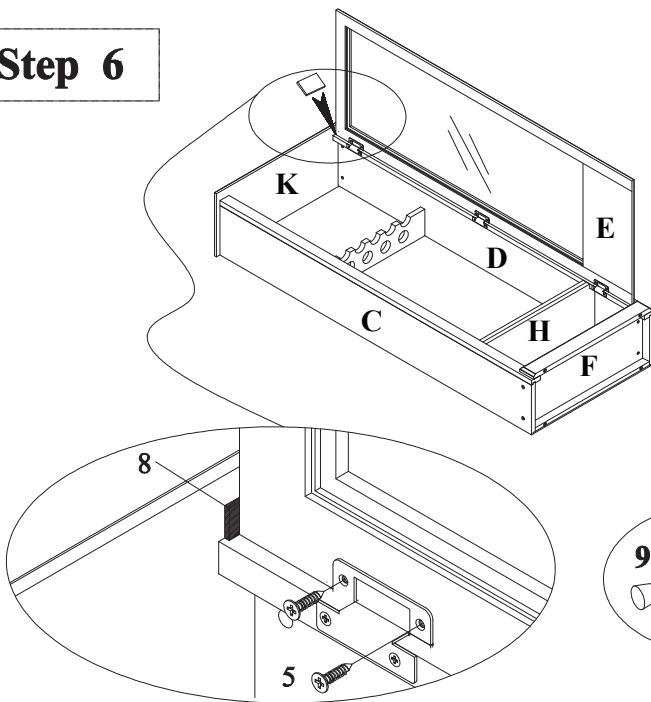
## Step 6:

Lay door panel (E) on top upper cabinet open position as shown. Place the door spacer block (8) in between the top panel (K) and door panel (E) for correct spacing. Move Door Panel (E) toward the top panel (K) until it contacts the Door Spacer Block (8). Insert flat head hinge screw (5) through the holes of the hinges and tighten into the door panel (E). Remove door spacer block (8) .

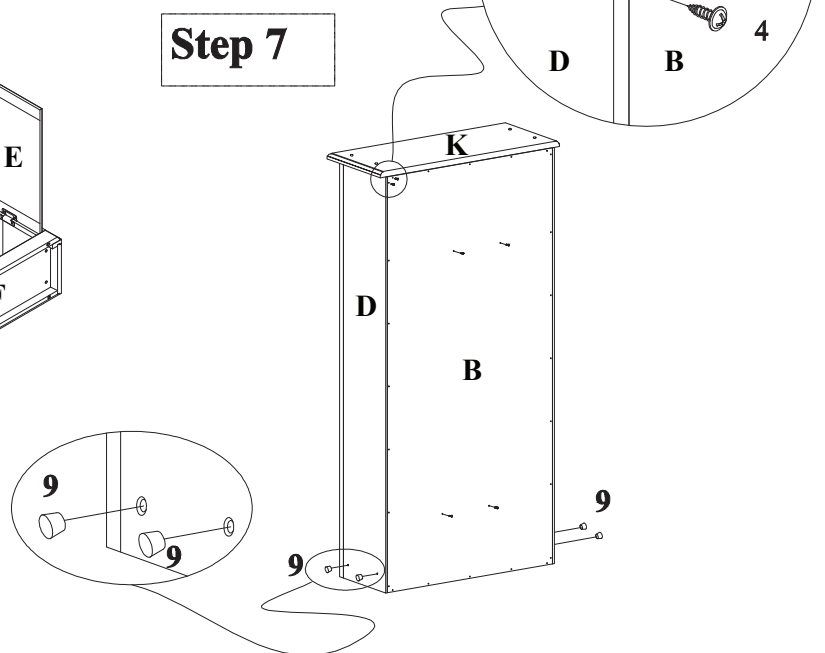
## Step 7:

Attach Back Panel (B) to the back of assembled cabinet using Round Head Wood Screw (4). Screw Round Head Wood Screw (4) to the back of Barrel Rest (A). insert the wood plug (9) into the holes of the left & right side panels (C & D).

## Step 6



## Step 7

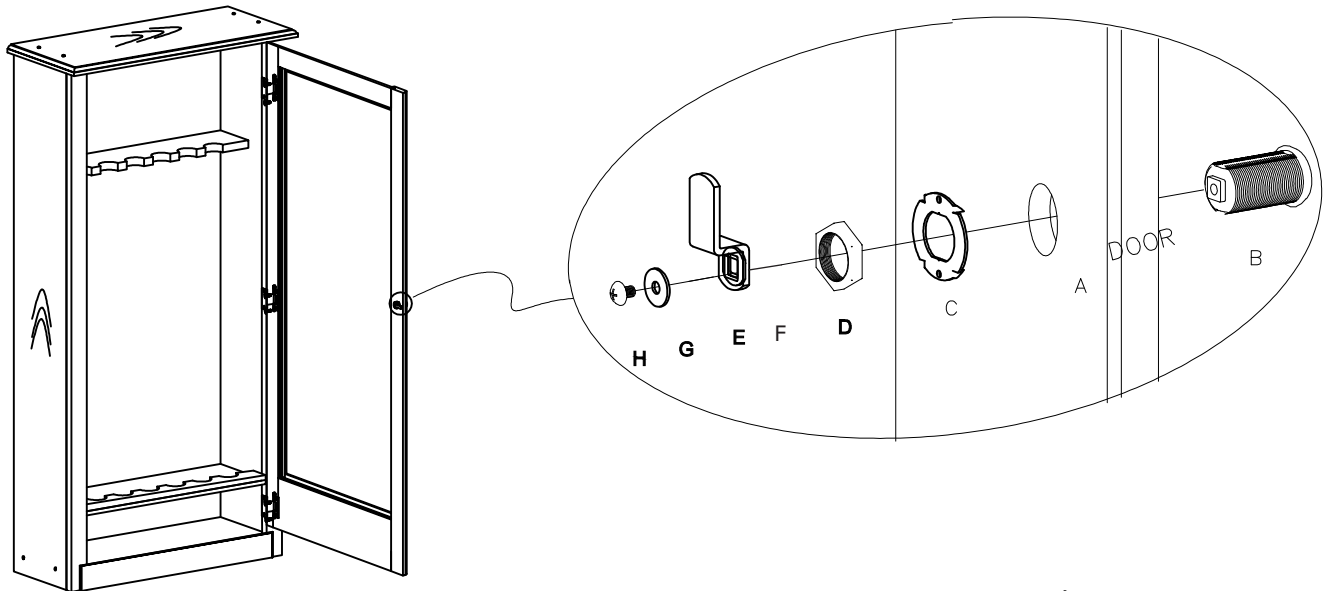


**Assembly is now complete.**

**For extra safety we suggest you install the "Furniture Tipping Restraint" Provided in the separate hardware bag.**

# Assembly Instructions

## Install the lock of the door



A. Lock Hole  
B. Lock  
C. Gear Washer  
D. Nut

E. Pin  
F. Washer  
G. Washer  
H. Screw

### Step:

1. Insert Lock (B) into the Lock Hole (A).
2. Put Gear Washer (C) on the Lock (B).
3. Screw Nut (D) on Lock (B).
4. Place Pin (E) and washer (F) onto Lock Barrel (B), Make sure the rectangular hole on Pin (E) & Washer (F) and on Lock Barrel (B) are aligned properly.
5. Insert washer (G) and screw (H) into the end of Lock Barrel (B)
6. Tighten or loosen Screw (H) until Pin (E) fits tightly behind the back edge of the Door Frame when door is fully closed and lock is locked position.